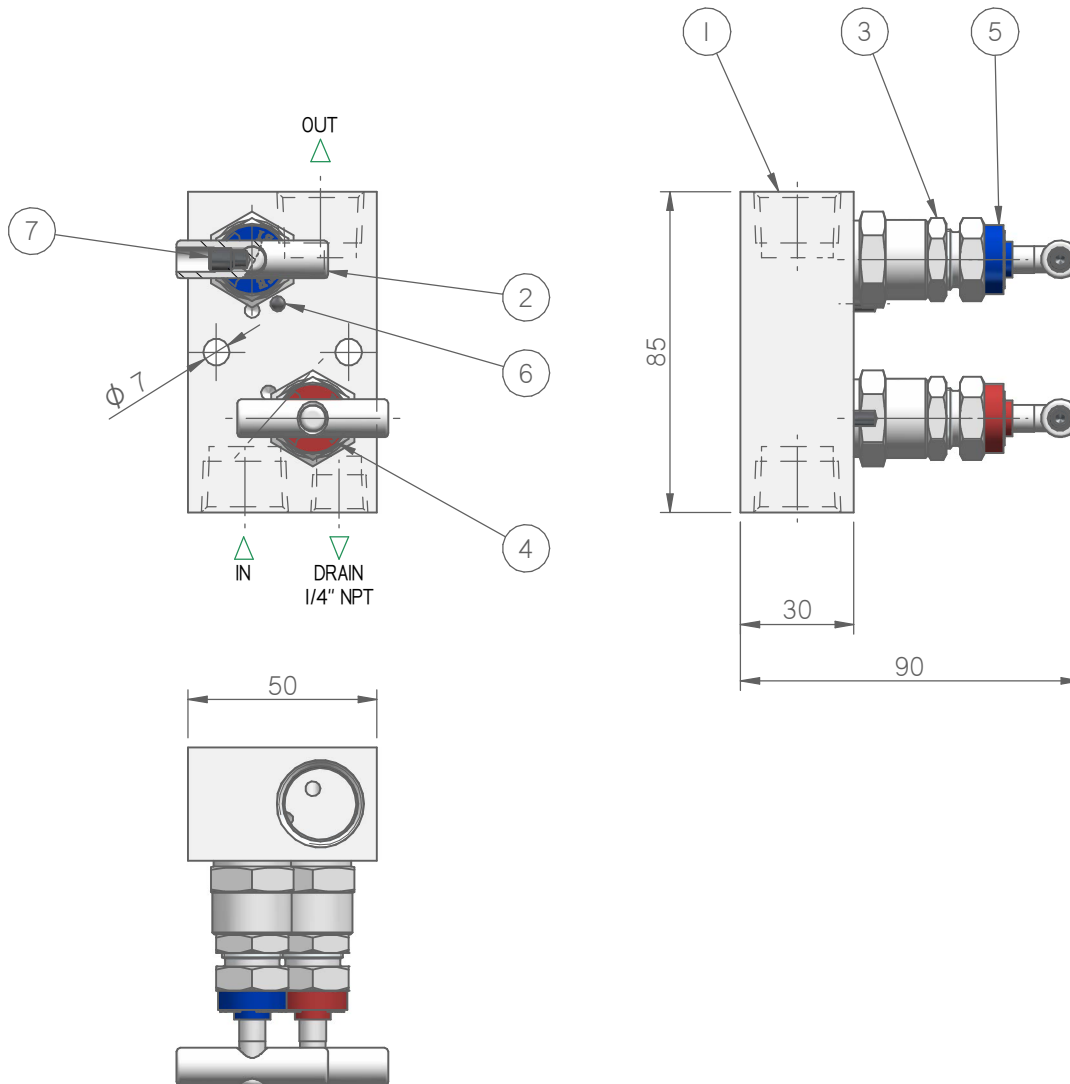


Bar stock manifold designed for operation with any fluid.



Example for a typical product. The dimensions shown in this datasheet apply to standard types. If you need the dimensions for your individual type or should you still not find your options at all please contact the factory.

BILL OF MATERIALS

| POS. | DESCRIPTION | MATERIAL | QTY |
|------|-------------------------------------|------------------|-----|
| 1 | BODY VL.V. M252 1/2 NPT-F | AISI 316L | 1 |
| 2 | T HANDLE 40mm | AISI 303 | 2 |
| 3 | BONNET 316L/PTFE | AISI 316L / PTFE | 2 |
| 4 | DUST CUP | HYTREL ROSSO | 1 |
| 5 | DUST CUP | HYTREL BLU | 1 |
| 6 | PIN 4X12 - ISO 8741 | A2 | 2 |
| 7 | NO HEAD SCREW M6x10 - 45H - DIN 915 | A2 | 2 |

MODEL

| MODEL | RATING | MATERIAL | PACKING | IN | OUT | INSIDE DIAMETER | NOTE |
|-------|-------------|------------|---------|----------|----------|-----------------|----------------------------------|
| M252 | 3/6/10K psi | AISI 316L* | PTFE* | 1/2" NPT | 1/2" NPT | 4mm/0,15in* | *for more options see next sheet |

The dimensions shown apply only to the illustrated valve – if you need the dimensions for your individual type or should you still not find your options at all please contact the factory.

Bar stock manifold designed for operation with any fluid.

STANDARD FEATURES

PTFE and GRAPHOIL packing available for all valve types.

Wetted parts according to **NACE MR.0175/MR.0103** as standard.

Shell test and seat leakage test are performed according to **API 598** and **ASME B16.34** (1.5 of max rating pressure).

Certificate 3.1 certificate according to EN 10 204 on valve body material.

Valves and manifold are not supplied with plugs unless specified

SPECIAL FEATURES

O-Ring packing

Oxygen service PTFE packing cleaned and degreased

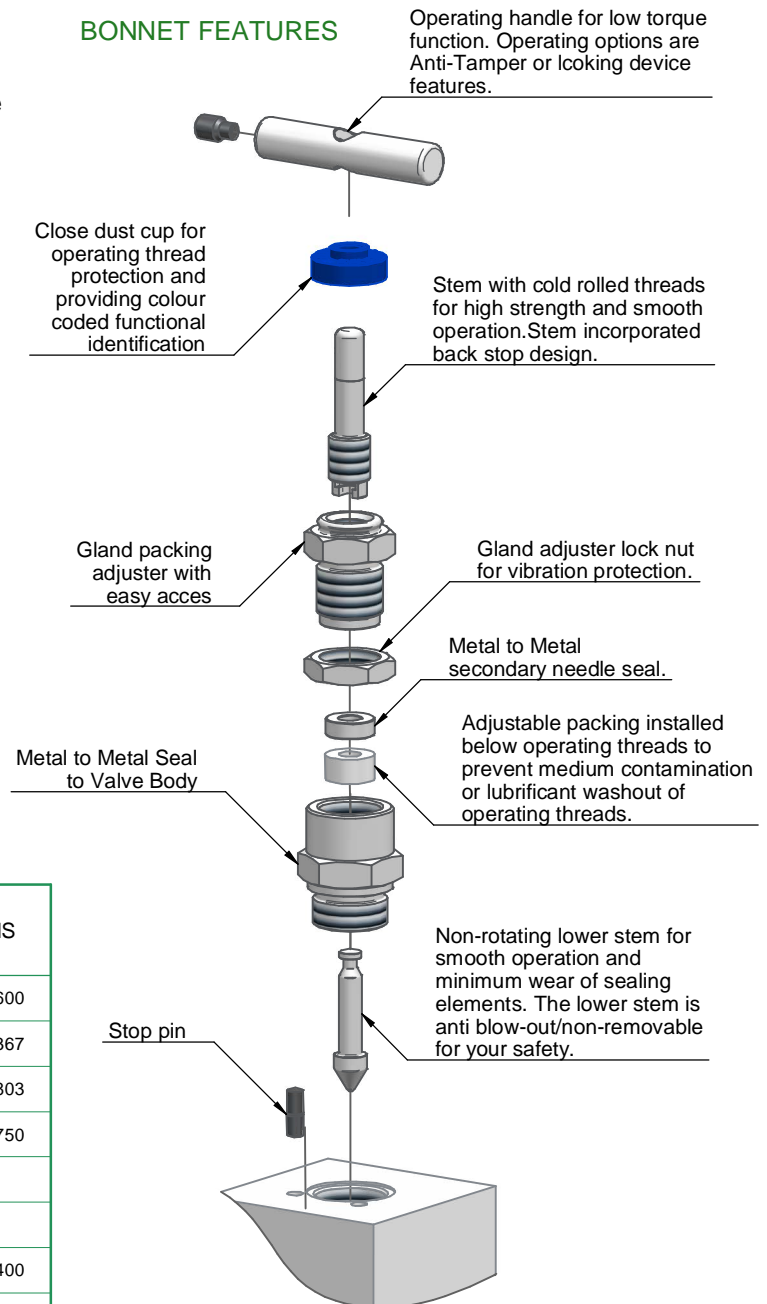
MATERIAL

| MATERIAL GROUP | I.T.E. DESIGNATION | ASTM | UNS |
|--------------------------|--------------------|----------|--------|
| Stainless Steel | 316/316L | 316/316L | S31600 |
| | 6Mo | | N08367 |
| Ferritic Stainless Steel | Duplex | F51 | S31803 |
| | Superduplex | F55 | S32750 |
| Carbon Steel | LF2 | LF2 | |
| | A105 | A105 | |
| Alloy | Alloy 400 | | N04400 |
| | Alloy C276 | | N10276 |
| | Alloy 625 | | N06625 |
| | Alloy 825 | | N08825 |
| Titanium | Ti Gr.2 | | R50400 |

CONNECTIONS

NPT threads acc. to. ASME B 1.20.1
 BSPT threads acc. to. ISO 7/1
 BSPP threads acc. to. ISO 228-1/ISO 1179-1
 Metric threads acc. to. ISO 261
 G Threads acc. to. ISO 228-1/EN 837-1
 Butt weld (male) acc. to. ASME B16.9
 Socket Weld (female) acc. to. ASME B16.11

BONNET FEATURES



- Maximum standard pressure up to 6.000 psig (414 barg).
- Maximum optional pressure up to 10.000 psig (689 barg).
- Temperature range -54°C to +530°C.
- PTFE standard gland packing (Graphoil optional).
- Max. temperature PTFE 260°C.
- Max. temperature Graphoil 530°C.
- Low operating torque.
- Packing below threads to prevent lubricant washout.