

# BAR STOCK MANIFOLD



**I.T.E.**  
INDUSTRIAL TECHNICAL EQUIPMENT



# INTRODUCTION



I.T.E. is an Italian company established in 1998 from the merge between 2 companies, one specialized in trading and one in machining activities, both operating in the Oil & Gas field since 1980. I.T.E. is one of the largest Italian and European manufacturers of valves and fittings for the installation of industrial instruments, mainly in O&G and Energy sectors, with a huge production of: **Needle Valves, Instrument Manifolds, Ball Valves, Pots & Siphons, Compression Fittings, Check Valves, Forged Globe Needle Valves, Adapters/Fittings, Fire Sensors, Sampling Systems, Protection Boxes.**

I.T.E. is specialized also on tailor-made solutions, on request complete packages can be provided to meet customer's needs.

I.T.E. is a flexible and customer oriented company, the manufacturing plant is equipped with different CNC machines, automatic welding machines and an automatic warehouse with different semi-finished standard products, this structure allows us to be reliable partner with a fast response to the customer needs.

**I.T.E. products are 100% engineered, manufactured, assembled and tested in Italy, all the products have the traceability system so that we are able to provide the best assistance to customers also specially during maintenance activities providing the right product/component.**



**FAILURE, IMPROPER SELECTION OR IMPROPER USE OF THE PRODUCTS AND/OR SYSTEMS DESCRIBED HEREIN OR RELATED ITEMS CAN CAUSE DEATH, PERSONAL INJURY AND PROPERTY DAMAGE.**

This document and other information from I.T.E. s.r.l., its authorized distributors provide product and/or system options for further investigation by users having technical expertise. It is important that you analyze all aspects of your application and review the information concerning the product or system in the current product catalog. Due to the variety of operating conditions and applications for these products or systems, the user, through its own analysis and testing, is solely responsible for making the final selection of the products and systems and assuring that all performance, safety and warning requirements of the application are met. The products described herein, including without limitation, product features, specifications, designs, availability and pricing, are subject to change by I.T.E. s.r.l. and its subsidiaries at any time without notice.

# CONTENTS

FEATURES

PAGE 06

BONNET FEATURES

PAGE 07

CONNECTIONS

PAGE 08

BLOCK & BLEED MANIFOLD

PAGE 10

DOUBLE BLOCK & BLEED MANIFOLDS

PAGE 12

REMOTE MOUNTED MANIFOLDS

PAGE 14

DIRECT MOUNT MANIFOLDS

PAGE 21

DIFFERENTIAL PRESSURE GAUGE MANIFOLDS

PAGE 29

ACCESSORIES

PAGE 33





## FEATURES

Across years of experience in instrumentation sector and increasing its know-how, today I.T.E. is able to offer a wide range of manifold and accessories for several application and sector. All products shown on this catalogue are available with integral compression ends (performance system improved, safety factors, size and weight reduction). R&D dept. is constantly committed to refining and improving the quality of the products.

### STANDARD FEATURES

PTFE and GRAPHOIL packing available for all valve types.

Bore size 4mm.

Wetted parts according to **NACE MR.0175/MR.0103** as standard.

Shell test and seat leakage test are performed according to **API 598** and **ASME B16.34** (1.5 of max rating pressure).

**Certificate 3.1** certificate according to EN 10 204 on valve body material.

Valves and manifold are not supplied with plugs unless specified

### SPECIAL FEATURES

Bore size 10mm on request

O-Ring packing

**Oxygen service** PTFE packing cleaned and degreased

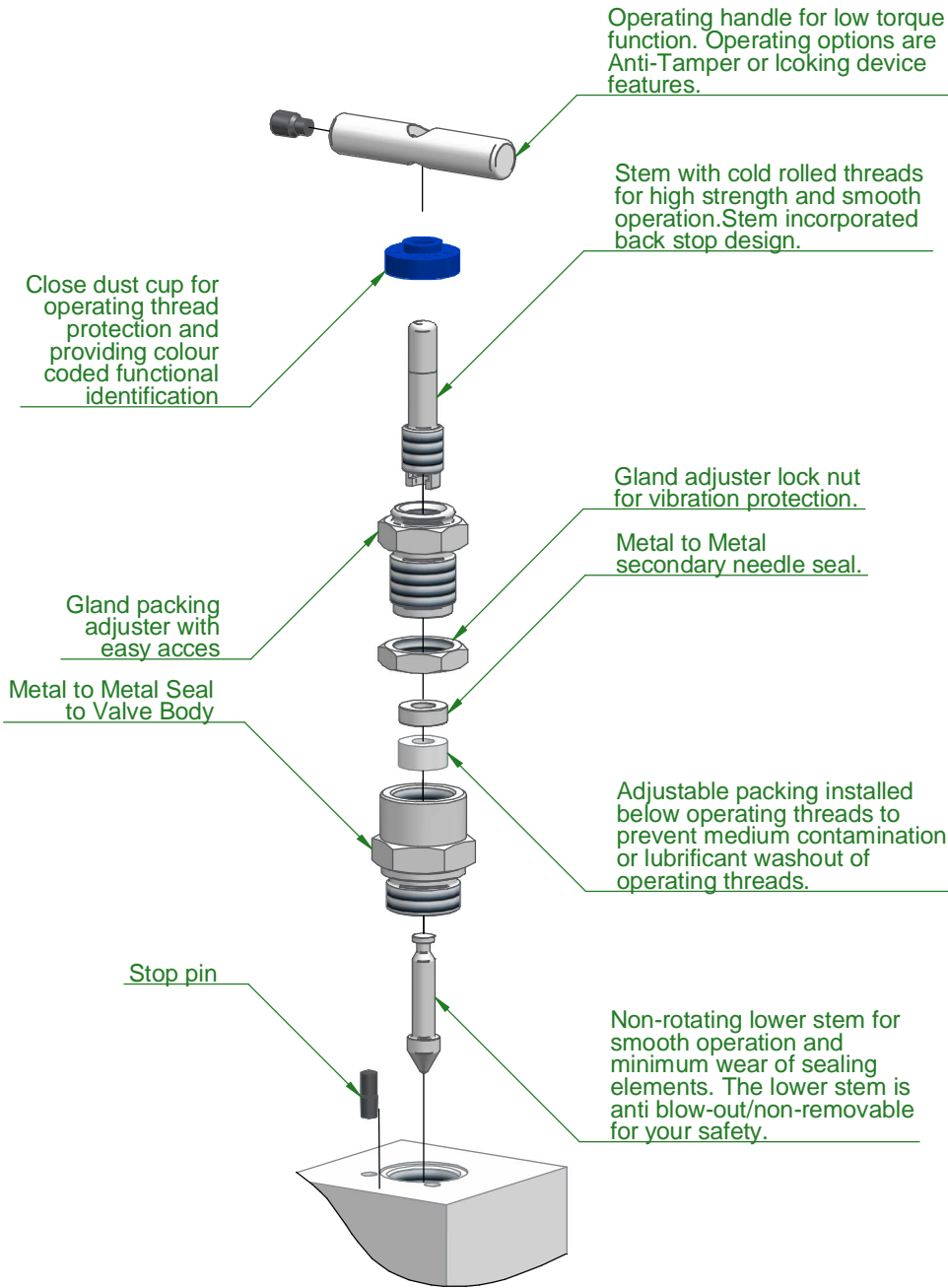
### MATERIAL

MATERIAL GROUP	I.T.E. DESIGNATION	ASTM	UNS	AVAILABILITY ON STOCK
Stainless Steel	316/316L	316/316L	S31600	YES
	6Mo		N08367	ON REQUEST
Ferritic Stainless Steel	Duplex	F51	S31803	YES
	Superduplex	F55	S32750	YES
Carbon Steel	LF2	LF2		ON REQUEST
	A105	A105		ON REQUEST
Alloy	Alloy 400		N04400	YES
	Alloy C276		N10276	ON REQUEST
	Alloy 625		N06625	ON REQUEST
	Alloy 825		N08825	ON REQUEST
Titanium	Ti Gr.2		R50400	ON REQUEST

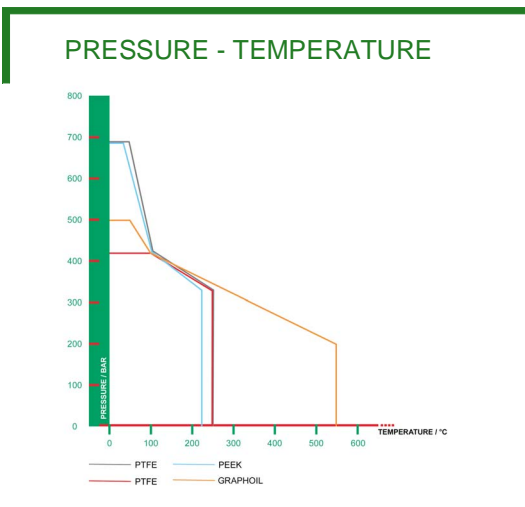


Bonnet is specifically designed for operation with any fluid up to 10.000 PSI rating. Complete with standard PTFE gland packing and self centering non rotational tip, it guarantees total sealing efficiency during service operations. In addition to standard version, I.T.E. provides variants with locking system or anti-tamper configuration.

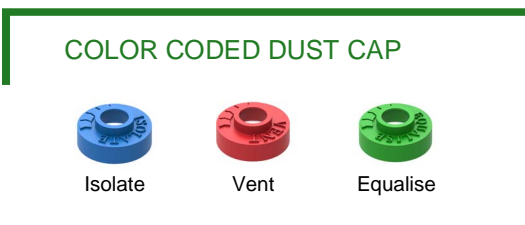
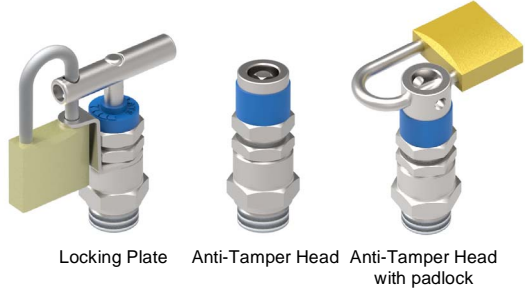
# BONNET FEATURES



- ### SPECIFICATION
- Maximum standard pressure up to 6.000 psig (414 barg).
  - Maximum optional pressure up to 10.000 psig (689barg).
  - Temperature range -54°C to +530°C.
  - PTFE standard gland packing (Graphoil optional).
  - Max. temperature PTFE 260°C.
  - Max. temperature Graphoil 530°C.
  - Low operating torque.
  - Packing below threads to prevent lubricant washout.



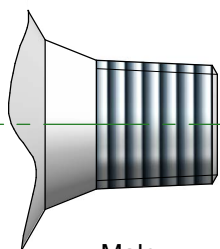
### OPTIONAL CONFIGURATION



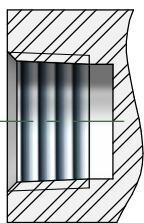
# CONNECTIONS

I.T.E. manufactures a lot of different connections and combinations. Below are some of the most used. If you don't find your option please contact us.

## TAPERED PIPE THREADS



Male

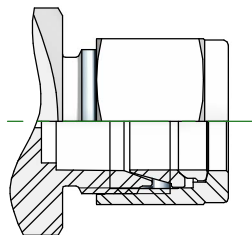


Female

NPT threads acc. to ASME B 1.20.1

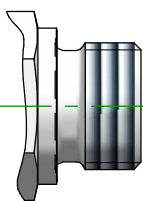
BSPT threads acc. to ISO 7/1

## TWIN FERRULE TUBE FITTINGS

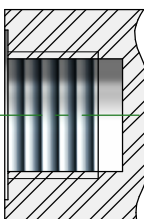


The direct pipe connection is available in both metric and inch sizes. All components are made by I.T.E. s.r.l.

## PARALLEL PIPE THREADS (1) (2)



Male

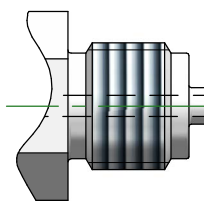


Female

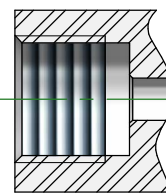
BSPP threads acc. to ISO 228-1  
ISO 1179-1

Metric threads acc. to ISO 261

## PARALLEL PIPE THREADS - GAUGE CONN. (1)



Male

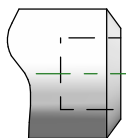


Female

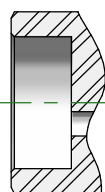
G Threads acc. to ISO 228-1  
EN 837-1

Metric threads acc. to ISO 261

## WELD ENDS



Male



Female

Butt weld (male) acc. to ASME B16.9

Socket Weld (female) acc. to ASME B16.11

## NOTE

(1) Cylindrical connection for fittings hydraulic or gas applications. The seal between male and female is made by metal to metal contact between two parallel surfaces.

(2) Pressure connection for use with pressure gauges. The end can be fixed or rotatable according to the needs of use. The seal is carried out by means of a flat gasket placed at the bottom of the female thread.

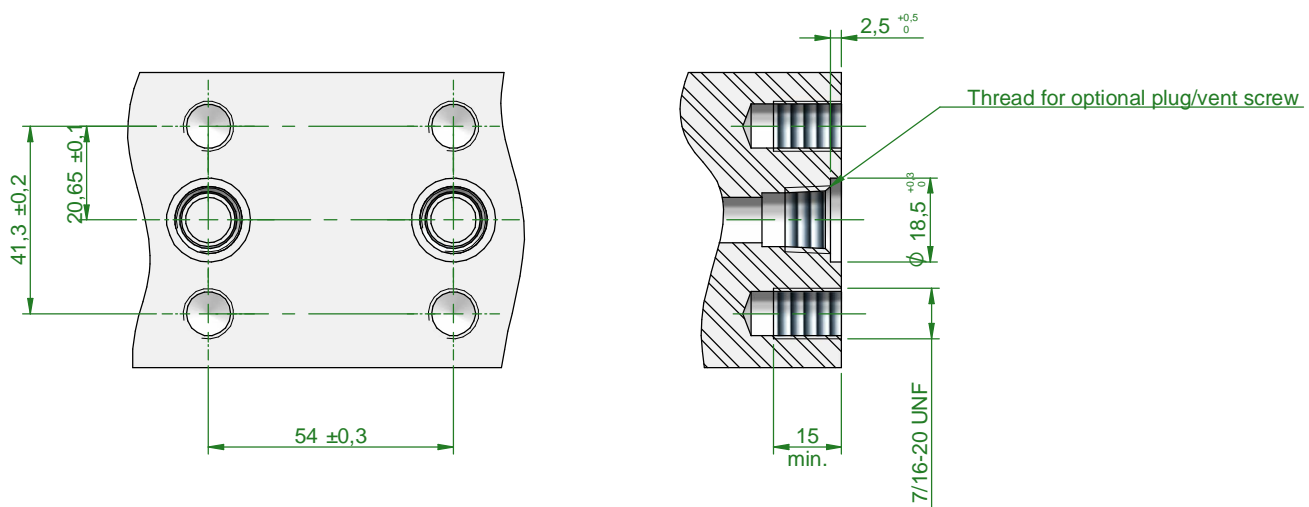
Size from 1/8" to 1"  
Metric size: M20 x 1.5



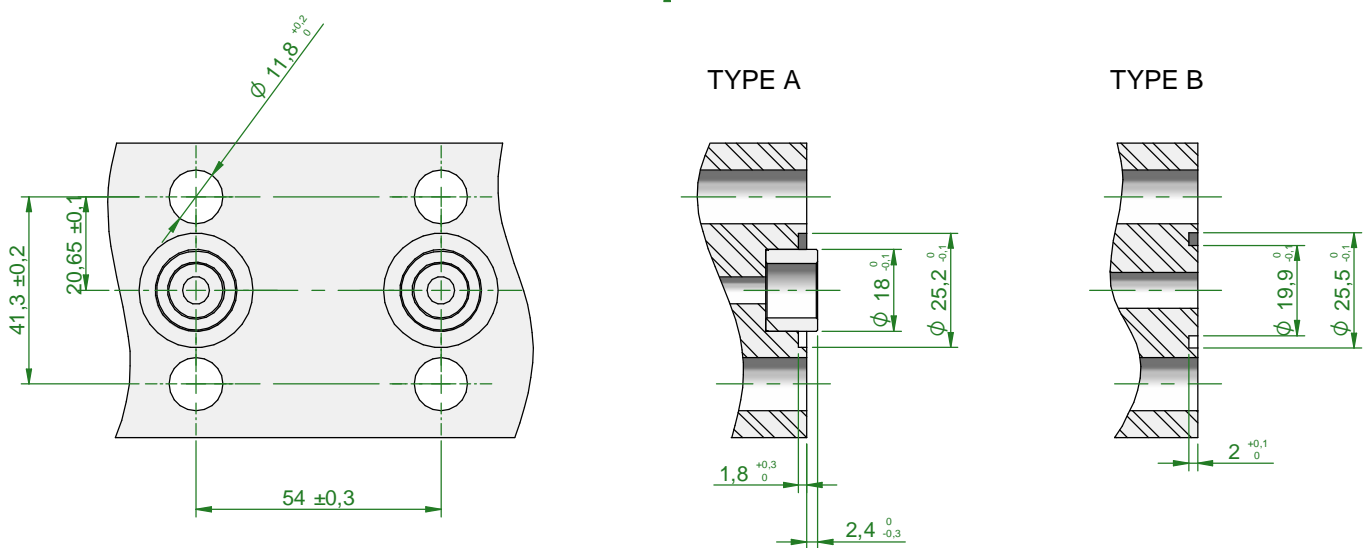


Flange connections according to IEC 61518 they are standard for direct mount manifolds with machined grooves for PTFE seal rings. Flanged outlets are positioned on 54mm centres. (56/57mm options are available).

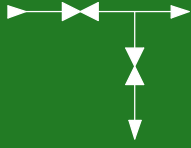
## INLET MANIFOLD (IEC 61518)



## MANIFOLD TO TRANSMITTER (IEC 61518)

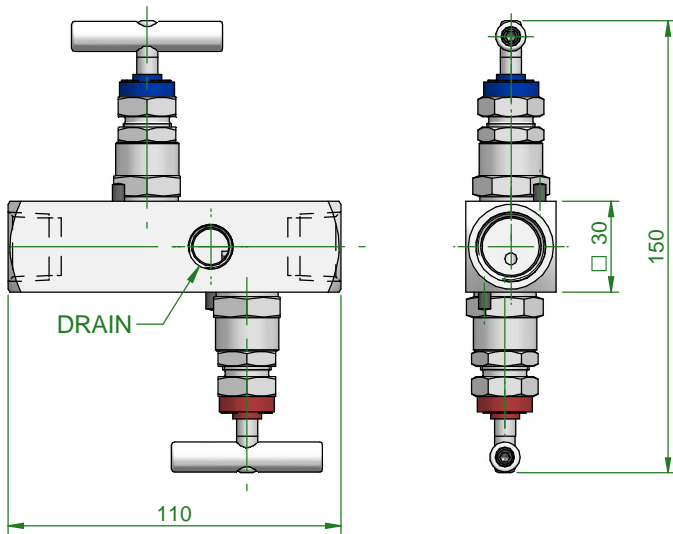


# BLOCK & BLEED MANIFOLD

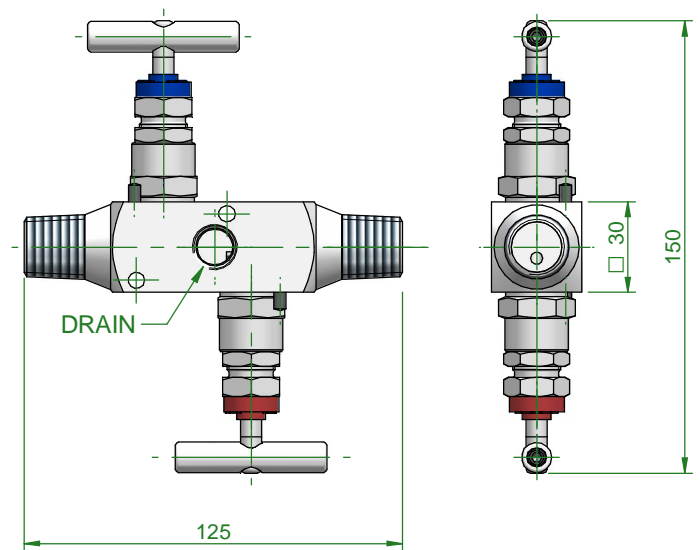


Bar stock Block & Bleed Manifolds are designed for mounting Pressure Gauges, Pressure Transmitters and Pressure Switches. The manifolds work with any fluid up to 10.000 PSI rating. Complete with standard PTFE gland packing and self centering non rotational tip, it guarantees total sealing efficiency during service operations. Standard vent connection is 1/4" NPT-F. I.T.E. manifolds are available with a lot of options. *We are showing on this page just the standard types.*

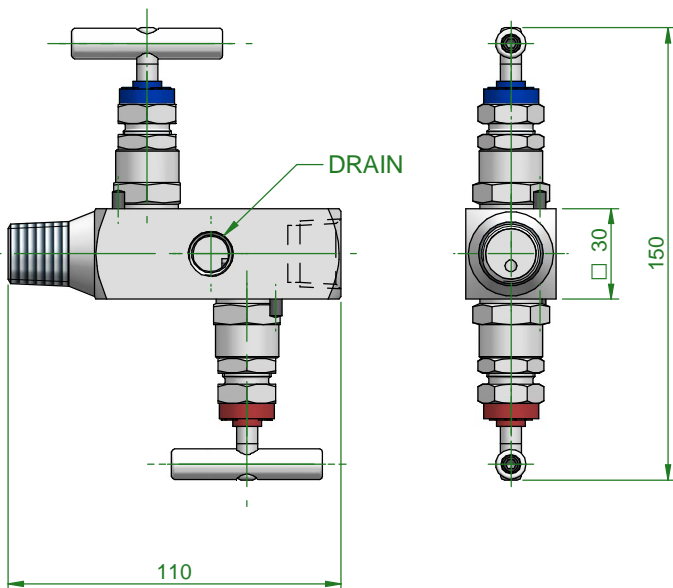
M23 - FEMALExFEMALE THREADED



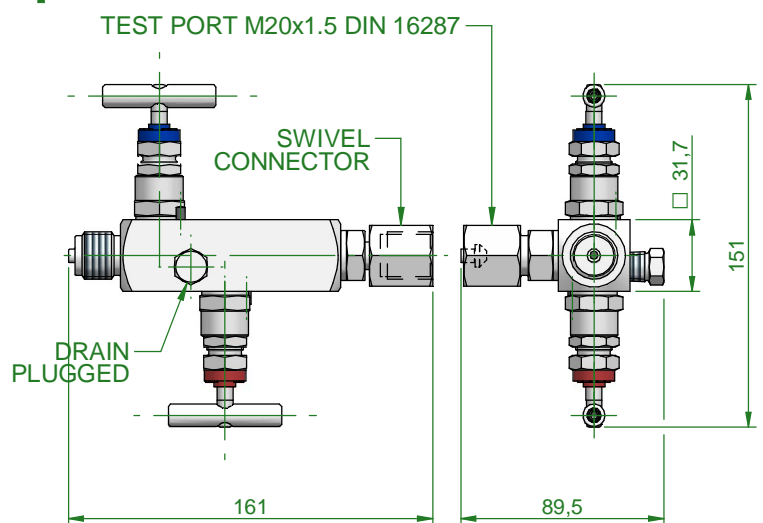
M245 - MALExMALE THREADED



M24 - MALExFEMALE THREADED



M265 - MALExFEMALE THREADED WITH TEST PORT



# BLOCK & BLEED MANIFOLD - HOW TO ORDER

M 2 3 - 0 6 S T 8 N 8 N 4

## MODEL

- M23 Block & Bleed Manifold I/O F/F Threaded 180°
- M24 Block & Bleed Manifold I/O WF Threaded 180°
- M245 Block & Bleed Manifold I/O MM Threaded 180°
- ...

## RATING

- 06 Series 6.000 PSI
- 10 Series 10.000 PSI

## MATERIAL

- |   |                  |   |            |
|---|------------------|---|------------|
| S | Aisi 316L        | F | Alloy 400  |
| A | A105             | G | Alloy C276 |
| D | Duplex F51       | H | 6 Mo/F44   |
| E | Super Duplex F55 | I | Alloy 625  |

## PACKING

- T PTFE
- G Graphoil

## IN

- |   |      |    |           |
|---|------|----|-----------|
| 4 | 1/4" | 12 | 3/4"      |
| 6 | 3/8" | 20 | M20 x 1,5 |
| 8 | 1/2" |    |           |

## THREAD

- |   |                          |   |  |
|---|--------------------------|---|--|
| N | NPT                      | K | BSPT R/RC (ISO 7)                      |
| B | Butt weld                | I | BSPP GAS (ISO 1179)                    |
| S | Socket Weld              | R | BSPP GAS (EN 837-1) - Gauge connection |
| M | Metric (similar EN 837-) |   |  |

## OUT (Same as "IN" standard)

- |   |      |    |           |
|---|------|----|-----------|
| 4 | 1/4" | 12 | 3/4"      |
| 6 | 3/8" | 20 | M20 x 1,5 |
| 8 | 1/2" |    |           |

## THREAD (Same as "IN" standard)

- |   |                          |   |  |
|---|--------------------------|---|--|
| N | NPT                      | K | BSPT R/RC (ISO 7)                      |
| B | Butt Weld                | I | BSPP GAS (ISO 1179)                    |
| S | Socket Weld              | R | BSPP GAS (EN 837-1) - Gauge connection |
| M | Metric (similar EN 837-) |   |  |

## DRAIN

- /
- 4 1/4" NPT
- D 1/2" NPT

## OPTIONS

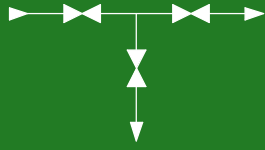
- |   |                                    |    |                              |    |                        |
|---|------------------------------------|----|------------------------------|----|------------------------|
| B | All components 316L                | KT | Padlock for all T-bar bonnet | TI | ISOLATE Anti-tamper    |
| C | Special testing                    | K1 | Padlock for ISOLATE          | TD | VENT Anti-tamper       |
| L | Lox cleaning                       | K2 | Padlock for EQUALISE         | TE | EQUALISE Anti Tamper   |
| K | Padlock for all anti tamper bonnet | K3 | Padlock for VENT             | TT | All Anti-tamper bonnet |
| T | Mounted plug drain                 |    |                              |    |                        |

Attention - Above guideline show s all possible product configuration. Tailor-made solutions must be evaluated and approved by ITE technical dept before accepting and processing your order



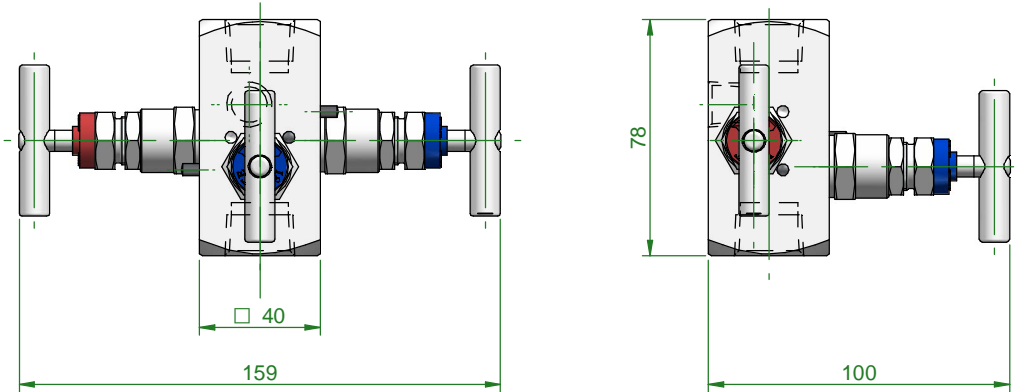


# DOUBLE BLOCK & BLEED MANIFOLD

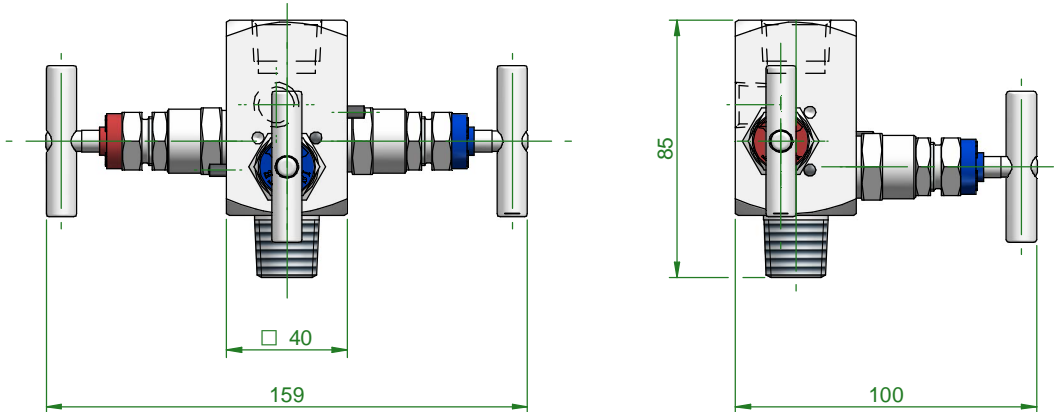


Bar stock Double Block & Bleed Manifolds are designed for mounting Pressure Gauges, Pressure Transmitters and Pressure Switches. The manifolds work with any fluid up to 10.000 PSI rating. Complete with standard PTFE gland packing and self centering non rotational tip, it guarantees total sealing efficiency during service operations. Standard vent connection is 1/4" NPT-F. I.T.E. manifolds are available with a lot of options. *We are showing on this page just the standard types.*

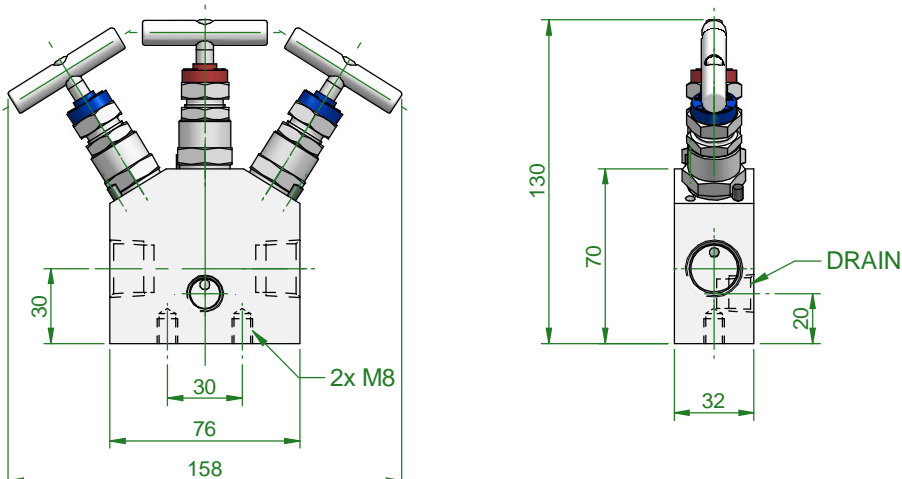
## M61 - FEMALExFEMALE THREADED



## M62 - MALExFEMALE THREADED



## M63 - FEMALExFEMALE THREADED



# DOUBLE BLOCK & BLEED MANIFOLD - HOW TO ORDER

M 6 1 - 0 6 S T 8 N 8 N 4

## MODEL

M61 Double Block & Bleed Manifold I/O F/F Thr. 180°  
 M62 Double Block & Bleed Manifold I/O M/F Thr. 180°  
 M63 Double Block & Bleed Manifold I/O F/F Thr. 180°  
 ...

## RATING

06 Series 6.000 PSI  
 10 Series 10.000 PSI

## MATERIAL

S	Aisi 316L	F	Alloy 400
A	A105	G	Alloy C276
D	Duplex F51	H	6 Mo/F44
E	Super Duplex F55	I	Alloy 625

## PACKING

T PTFE  
 G Graphoil

## IN

4	1/4"	12	3/4"
6	3/8"	20	M20 x 1,5
8	1/2"		

## THREAD

N	NPT	K	BSPT R/RC (ISO 7)
B	Butt weld	I	BSPP GAS (ISO 1179)
S	Socket Weld	R	BSPP GAS (EN 837-1) - Gauge connection
M	Metric (similar EN 837-1)		

## OUT (Same as "IN" standard)

4	1/4"	12	3/4"
6	3/8"	20	M20 x 1,5
8	1/2"		

## THREAD (Same as "IN" standard)

N	NPT	K	BSPT R/RC (ISO 7)
B	Butt Weld	I	BSPP GAS (ISO 1179)
S	Socket Weld	R	BSPP GAS (EN 837-1) - Gauge connection
M	Metric (similar EN 837-1)		

## DRAIN

/  
 4 1/4" NPT  
 8 1/2" NPT

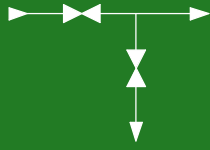
## OPTIONS

B	All components 316L	KT	Padlock for all T-bar bonnet	TI	ISOLATE Anti-tamper
C	Special testing	K1	Padlock for ISOLATE	TD	VENT Anti-tamper
L	Lox cleaning	K2	Padlock for EQUALISE	TE	EQUALISE Anti Tamper
K	Padlock for all anti tamper bonnet	K3	Padlock for VENT	TT	All Anti-tamper bonnet
T	Mounted plug drain				

Attention - Above guideline show s all possible product configuration. Tailor-made solutions must be evaluated and approved by ITE technical dept before accepting and processing your order

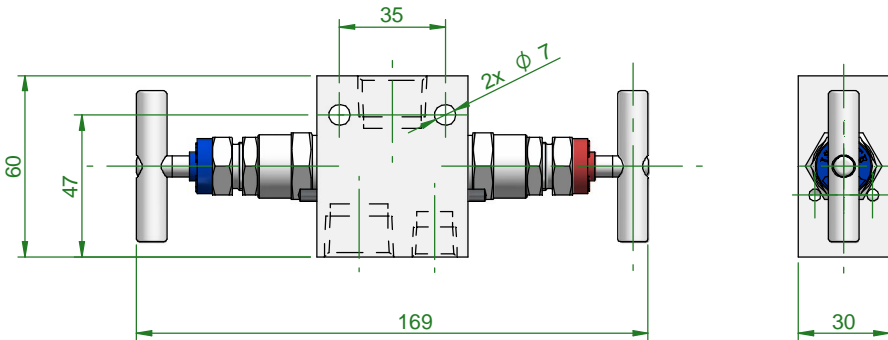


# REMOTE MOUNTED MANIFOLD

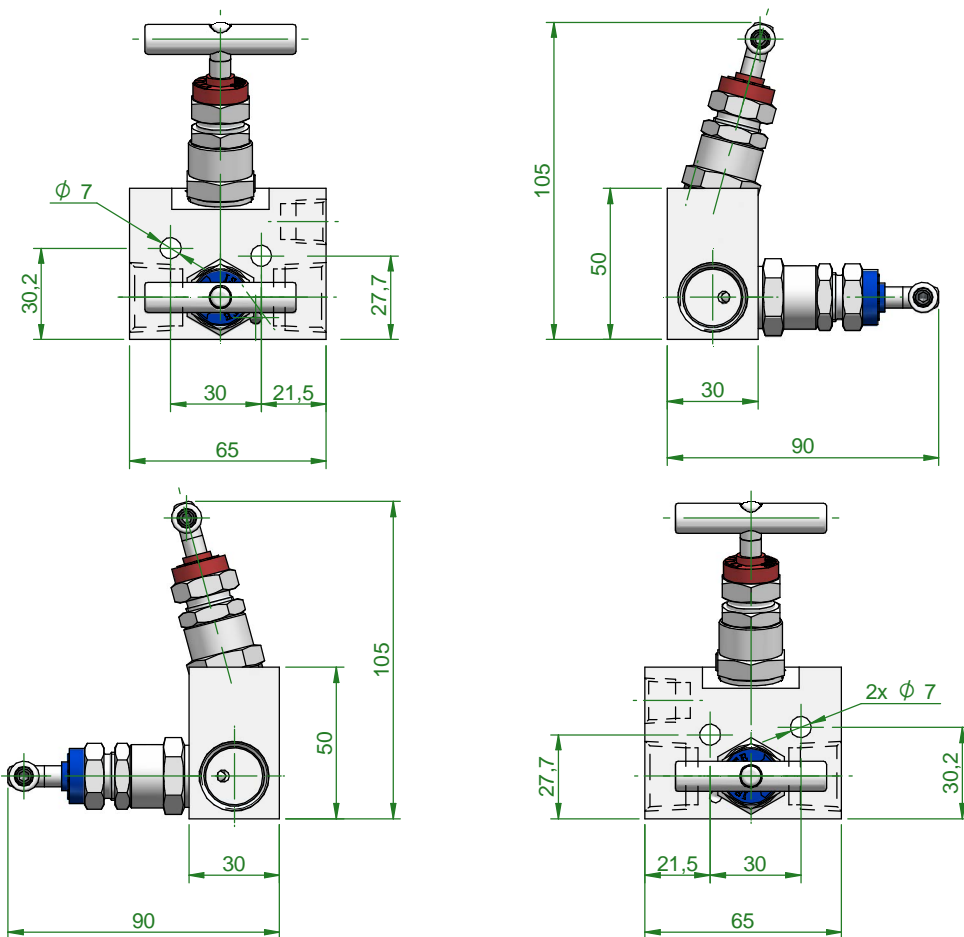


Bar stock Remote Mounted Manifolds are designed for mounting Pressure Gauges, Pressure Transmitters and Pressure Switches. The manifolds work with any fluid up to 10.000 PSI rating. Complete with standard PTFE gland packing and self centering non rotational tip, it guarantees total sealing efficiency during service operations. Standard vent connection is 1/4" NPT-F. I.T.E. manifolds are available with a lot of options. *We are showing on this page just the standard types.*

## M20 - FEMALEx FEMALE THREADED

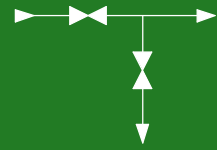


## M21/M21D - FEMALEx FEMALE THREADED



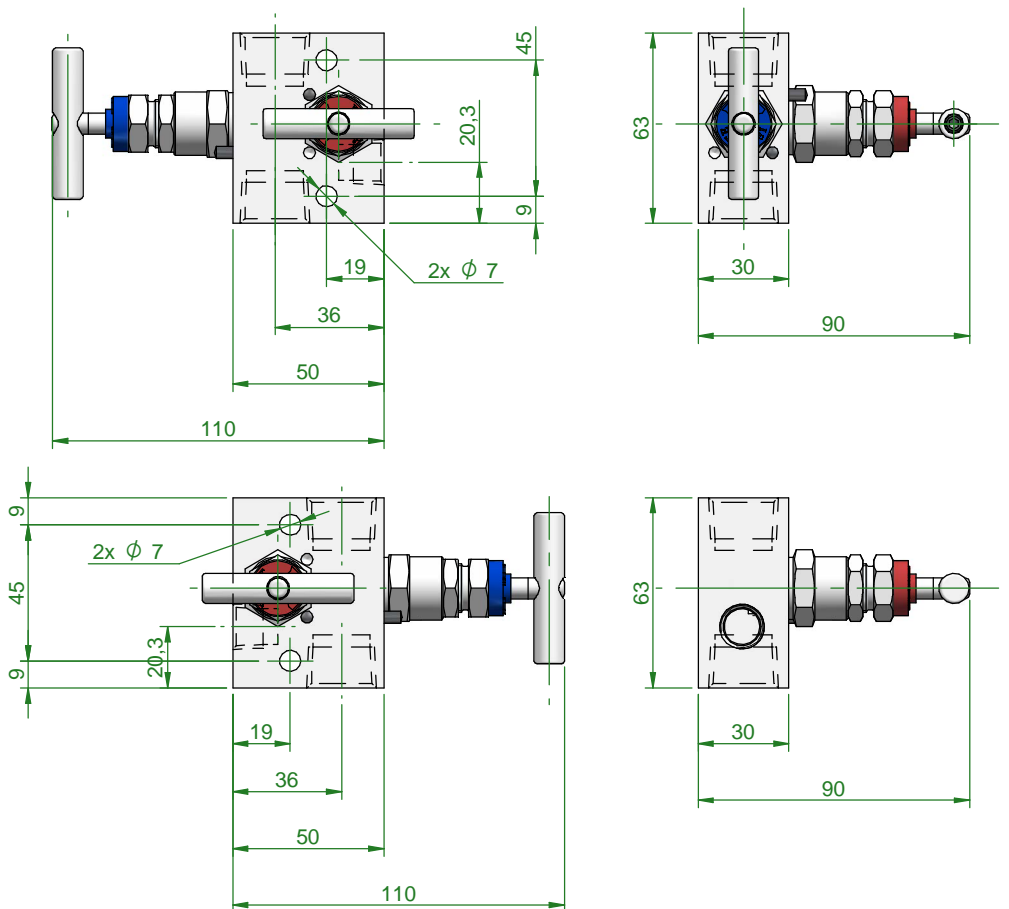


## REMOTE MOUNTED MANIFOLD

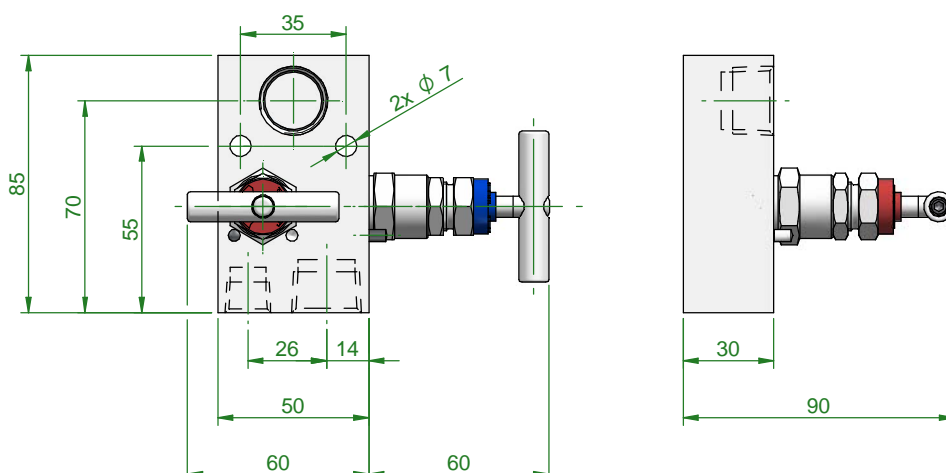


Bar stock Remote Mounted Manifolds are designed for mounting Pressure Gauges, Pressure Transmitters and Pressure Switches. The manifolds work with any fluid up to 10.000 PSI rating. Complete with standard PTFE gland packing and self centering non rotational tip, it guarantees total sealing efficiency during service operations. Standard vent connection is 1/4" NPT-F. I.T.E. manifolds are available with a lot of options. *We are showing on this page just the standard types.*

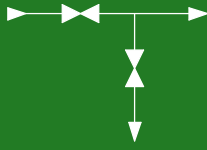
### M211/M211D - FEMALExFEMALE THREADED



### M213 - FEMALExFEMALE THREADED

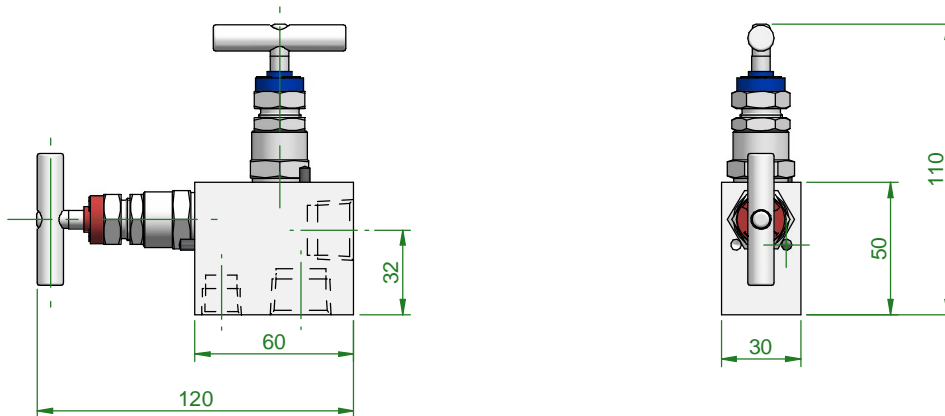


# REMOTE MOUNTED MANIFOLD

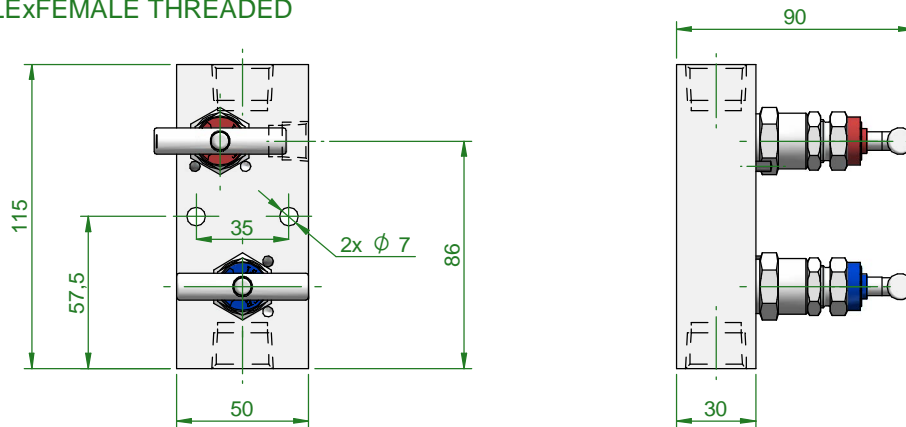


Bar stock Remote Mounted Manifolds are designed for mounting Pressure Gauges, Pressure Transmitters and Pressure Switches. The manifolds work with any fluid up to 10.000 PSI rating. Complete with standard PTFE gland packing and self centering non rotational tip, it guarantees total sealing efficiency during service operations. Standard vent connection is 1/4" NPT-F. I.T.E. manifolds are available with a lot of options. *We are showing on this page just the standard types.*

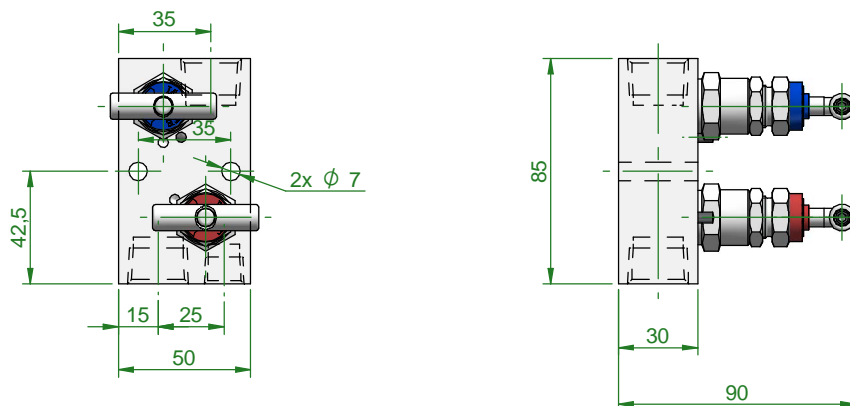
## M22 - FEMALEx FEMALE THREADED



## M25 - FEMALEx FEMALE THREADED



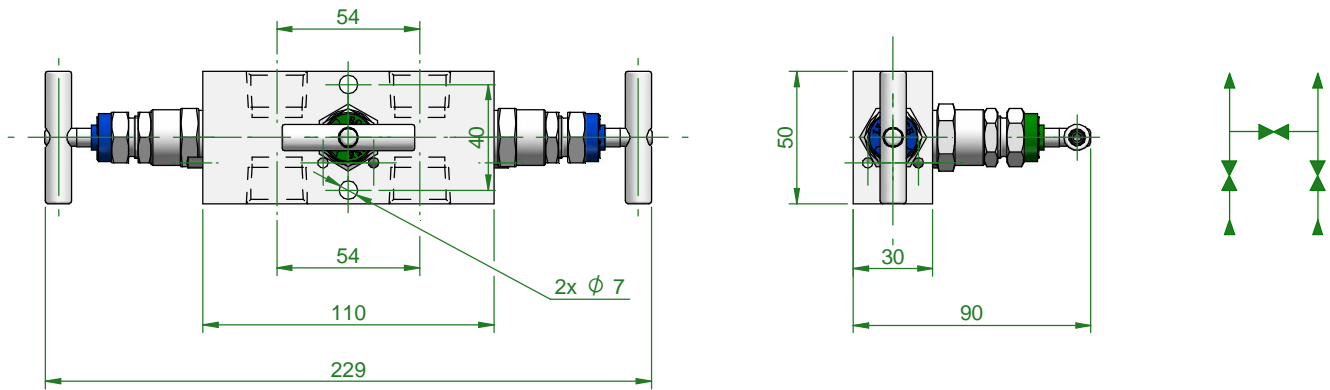
## M252 - FEMALEx FEMALE THREADED



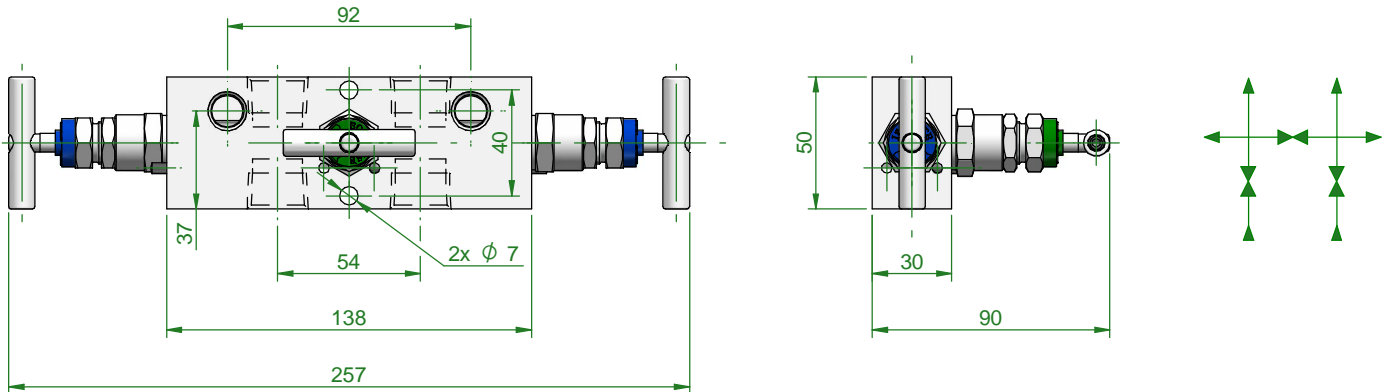
# REMOTE MOUNTED MANIFOLD

Bar stock Remote Mounted Manifolds are designed for mounting Pressure Gauges, Pressure Transmitters and Pressure Switches. The manifolds work with any fluid up to 10.000 PSI rating. Complete with standard PTFE gland packing and self centering non rotational tip, it guarantees total sealing efficiency during service operations. Standard vent connection is 1/4" NPT-F. I.T.E. manifolds are available with a lot of options. *We are showing on this page just the standard types.*

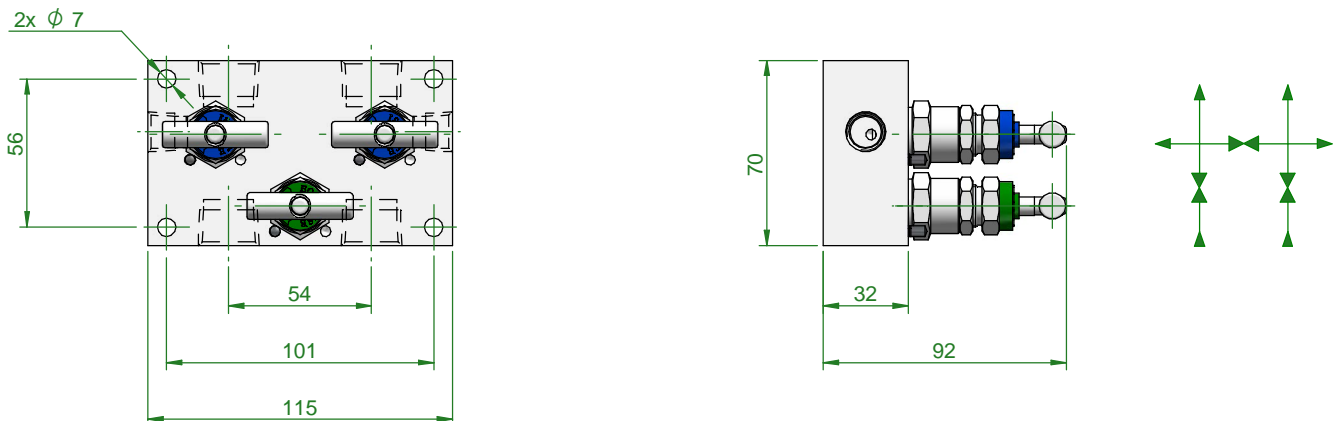
## M30 - FEMALEx FEMALE THREADED



## M31 - FEMALEx FEMALE THREADED



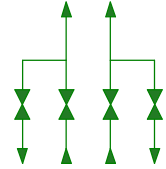
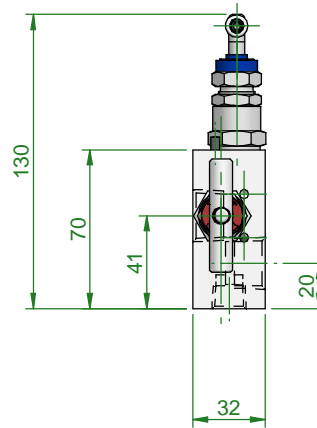
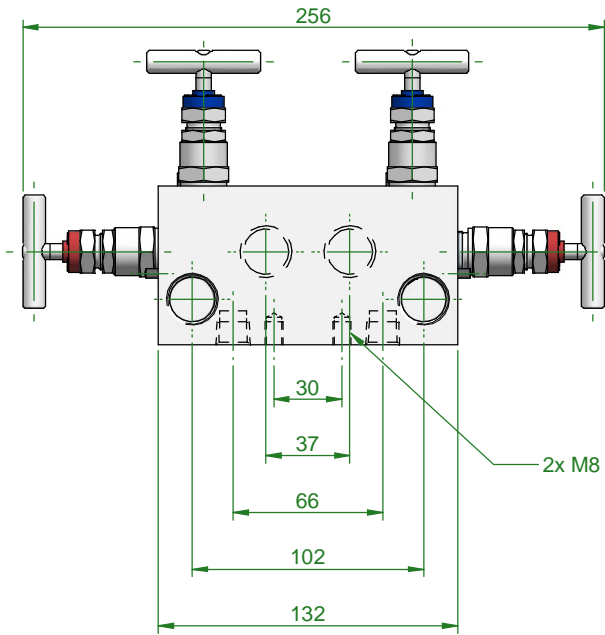
## M37 - FEMALEx FEMALE THREADED



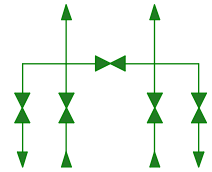
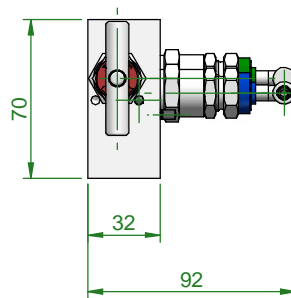
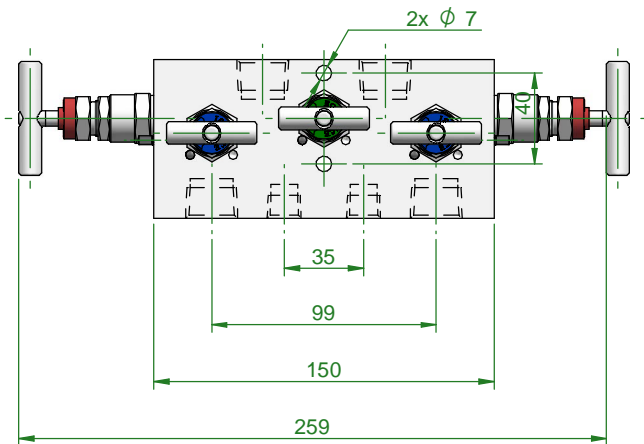
# REMOTE MOUNTED MANIFOLD

Bar stock Remote Mounted Manifolds are designed for mounting Pressure Gauges, Pressure Transmitters and Pressure Switches. The manifolds work with any fluid up to 10.000 PSI rating. Complete with standard PTFE gland packing and self centering non rotational tip, it guarantees total sealing efficiency during service operations. Standard vent connection is 1/4" NPT-F. I.T.E. manifolds are available with a lot of options. *We are showing on this page just the standard types.*

## M44 - FEMALExFEMALE THREADED



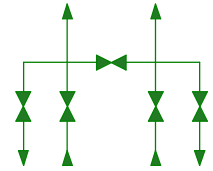
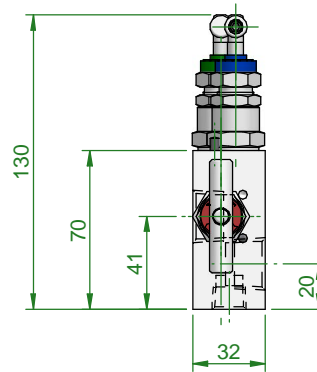
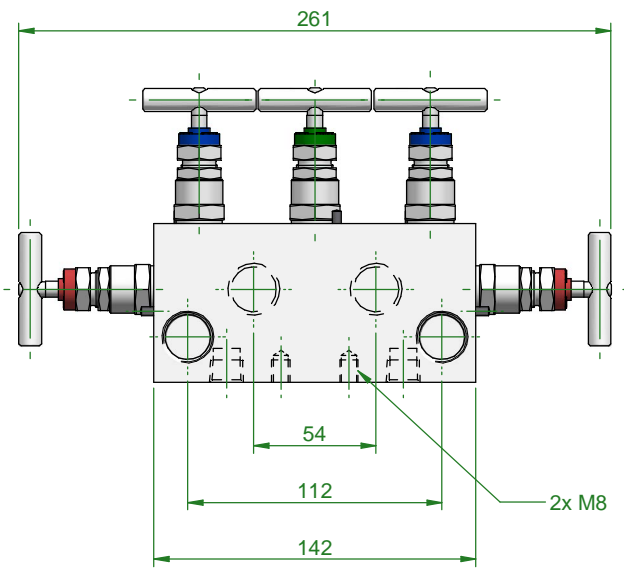
## M51 - FEMALExFEMALE THREADED



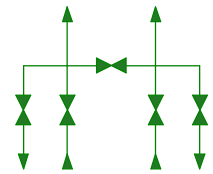
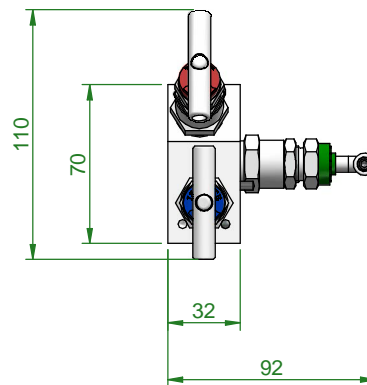
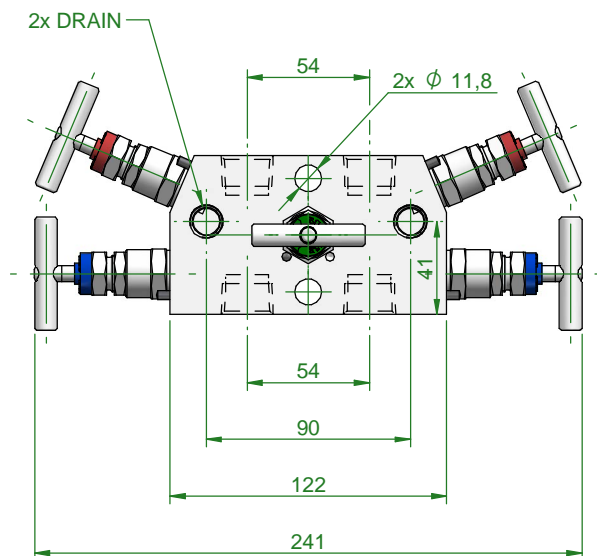
# REMOTE MOUNTED MANIFOLD

Bar stock Remote Mounted Manifolds are designed for mounting Pressure Gauges, Pressure Transmitters and Pressure Switches. The manifolds work with any fluid up to 10.000 PSI rating. Complete with standard PTFE gland packing and self centering non rotational tip, it guarantees total sealing efficiency during service operations. Standard vent connection is 1/4" NPT-F. I.T.E. manifolds are available with a lot of options. *We are showing on this page just the standard types.*

## M54 - FEMALExFEMALE THREADED



## M546 - FEMALExFEMALE THREADED



# REMOTE MOUNTED MANIFOLD - HOW TO ORDER

M 6 1 - 0 6 S T 8 N 8 N 4

## MODEL

M20 Remote manifold 2 vlv 50x30 I/O 180°  
 M30 Remote manifold 3 vlv 50x30 I/O 180°  
 M51 Remote manifold 5 vlv 70x32 I/O 180° + drain  
 ...

## RATING

06 Series 6.000 PSI  
 10 Series 10.000 PSI

## MATERIAL

S	Aisi 316L	F	Alloy 400
A	A105	G	Alloy C276
D	Duplex F51	H	6 Mo/F44
E	Super Duplex F55	I	Alloy 625

## PACKING

T PTFE  
 G Graphoil

## IN

4	1/4"	12	3/4"
6	3/8"	20	M20 x 1,5
8	1/2"		

## THREAD

N	NPT	K	BSPT R/RC (ISO 7)
B	Butt weld	I	BSPP GAS (ISO 1179)
S	Socket Weld	R	BSPP GAS (EN 837-1) - Gauge connection
M	Metric (similar EN 837-1)		

## OUT (Same as "IN" standard)

4	1/4"	12	3/4"
6	3/8"	20	M20 x 1,5
8	1/2"		

## THREAD (Same as "IN" standard)

N	NPT	K	BSPT R/RC (ISO 7)
B	Butt Weld	I	BSPP GAS (ISO 1179)
S	Socket Weld	R	BSPP GAS (EN 837-1) - Gauge connection
M	Metric (similar EN 837-1)		

## DRAIN

/  
 4 1/4" NPT  
 8 1/2" NPT

## OPTIONS

B	All components 316L	KT	Padlock for all T-bar bonnet	TI	ISOLATE Anti-tamper
C	Special testing	K1	Padlock for ISOLATE	TD	VENT Anti-tamper
L	Lox cleaning	K2	Padlock for EQUALISE	TE	EQUALISE Anti Tamper
K	Padlock for all anti tamper bonnet	K3	Padlock for VENT	TT	All Anti-tamper bonnet
T	Mounted plug drain				

Attention - Above guideline show s all possible product configuration. Tailor-made solutions must be evaluated and approved by ITE technical dept before accepting and processing your order



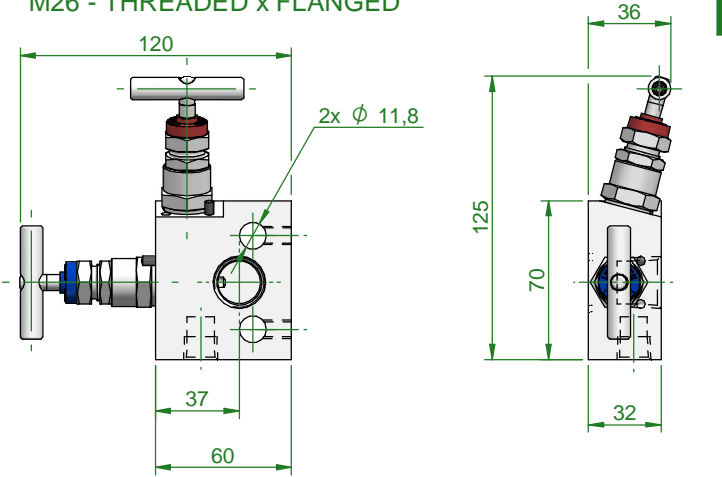


# DIRECT MOUNTED MANIFOLD

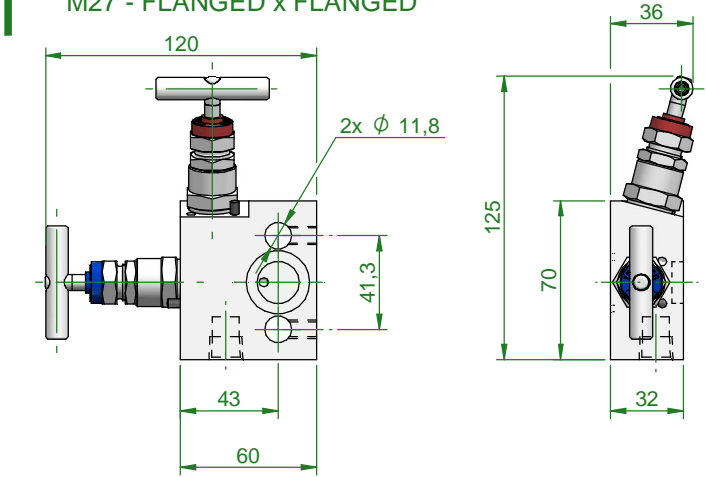


Direct Mount Manifolds are designed for direct mounting to Pressure and Differential Pressure Transmitters – either Transmitters with standard flange connection in accordance with DIN EN 61518 / IEC 61518 Transmitters. Complete with standard PTFE gland packing and self centering non rotational tip, it guarantees total sealing efficiency during service operations. Standard vent connection is 1/4" NPT-F. I.T.E. manifolds are available with a lot of options. *We are showing on this page just the standard types.*

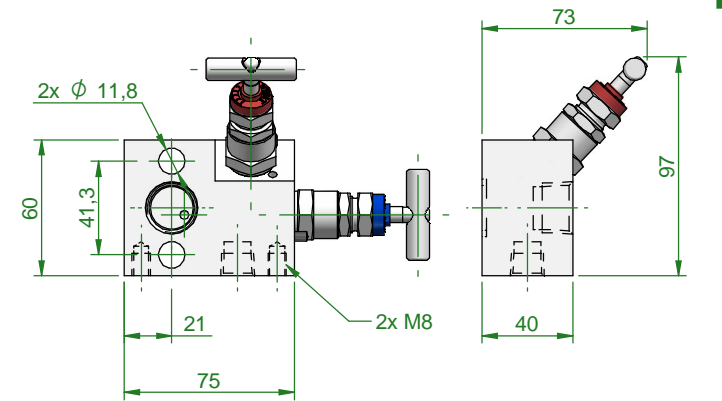
M26 - THREADED x FLANGED



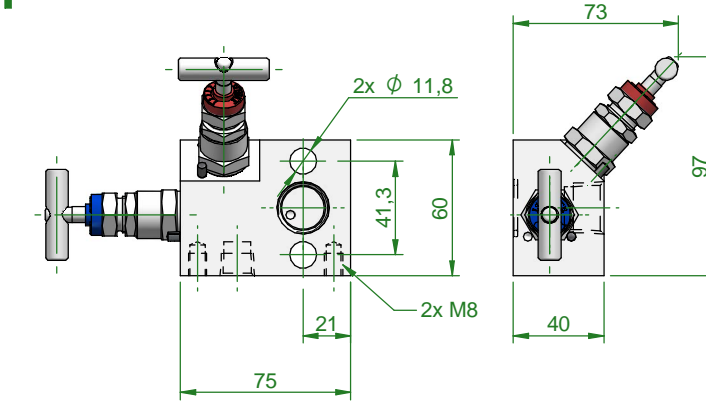
M27 - FLANGED x FLANGED



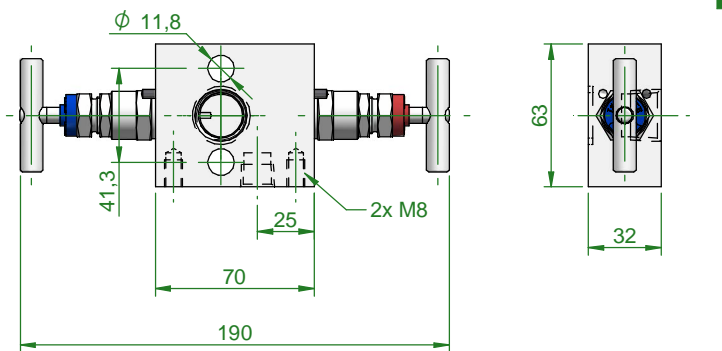
M263 - FEMALE THREADED x FLANGED



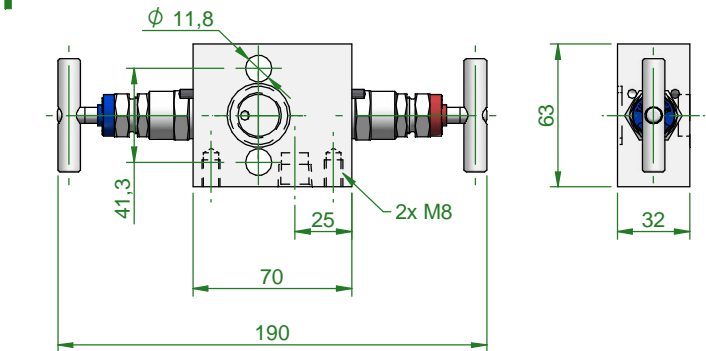
M263D - FEMALE THREADED x FLANGED



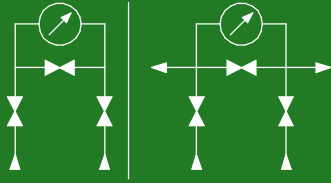
M28 - FEMALE THREADED x FLANGED



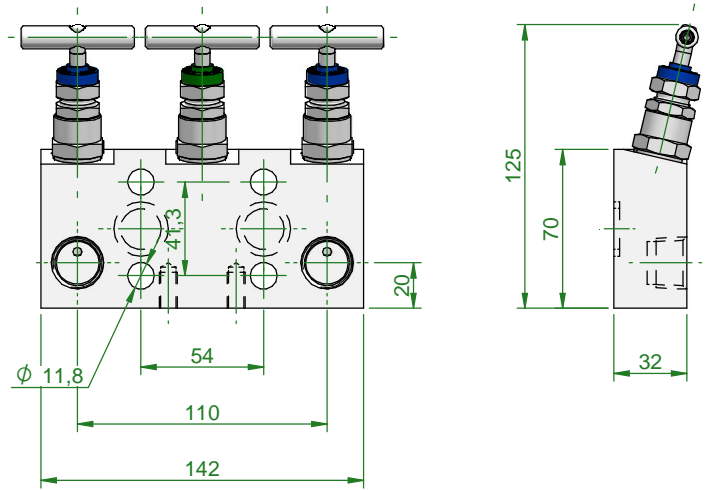
M28 - FLANGED x FLANGED



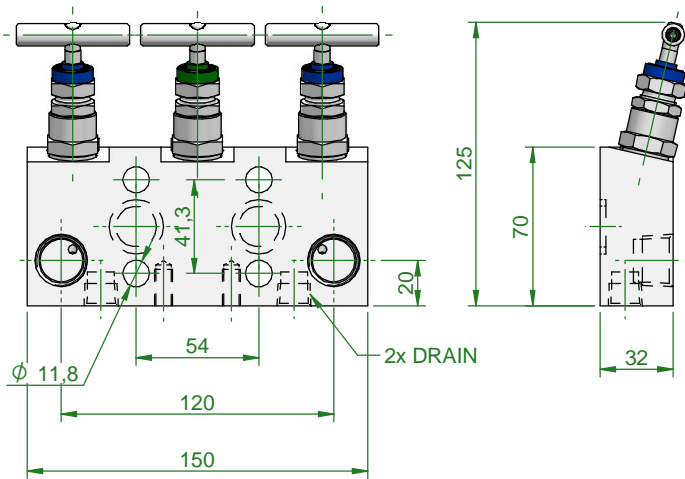
# DIRECT MOUNTED MANIFOLD



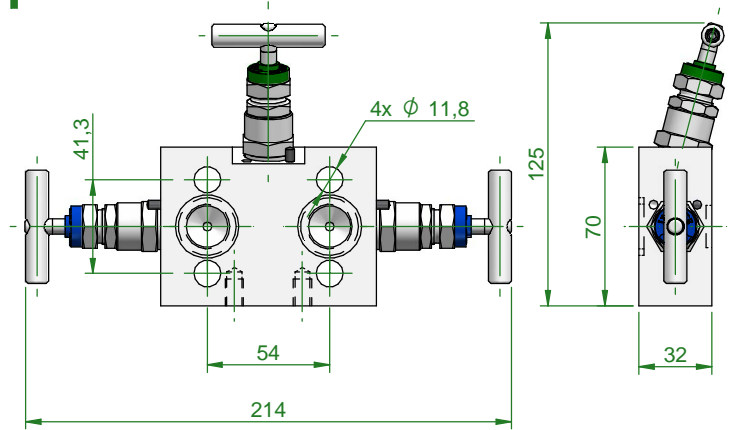
M321 - THREADED x FLANGED



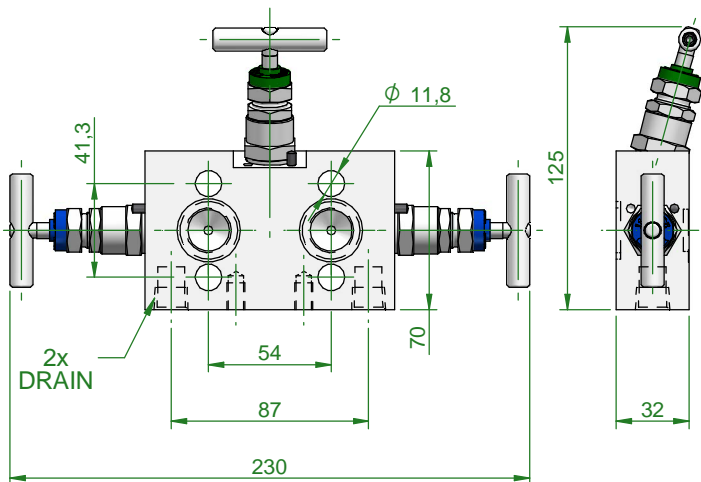
M32 - THREADED x FLANGED



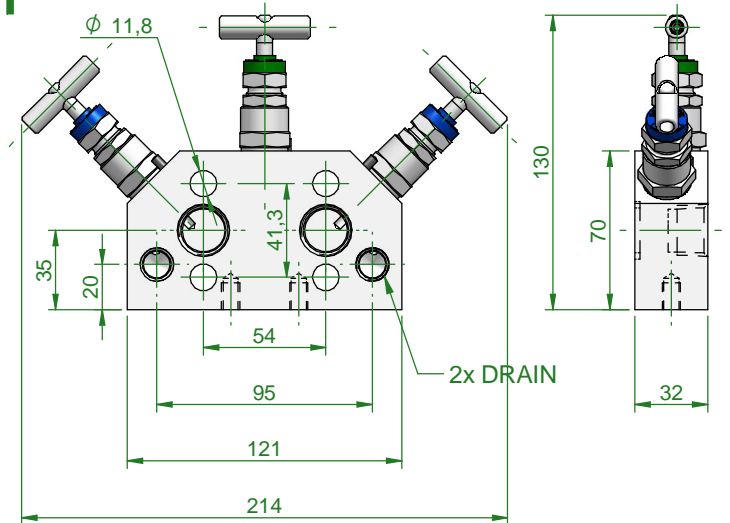
M331 - FLANGED x FLANGED



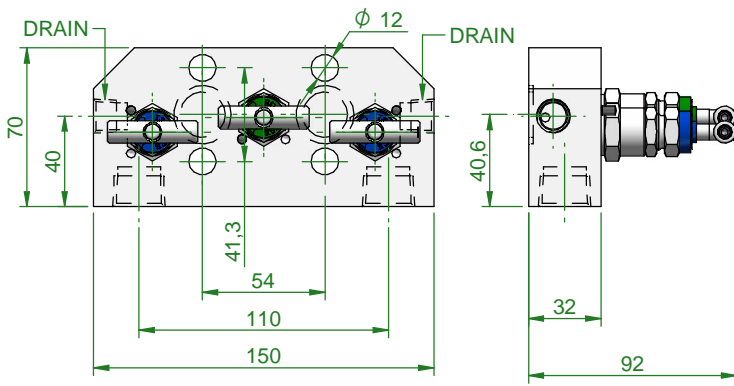
M33 - FLANGED x FLANGED



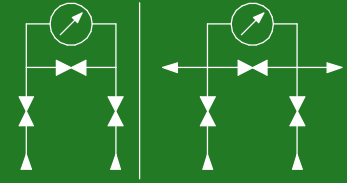
M35 - THREADED x FLANGED



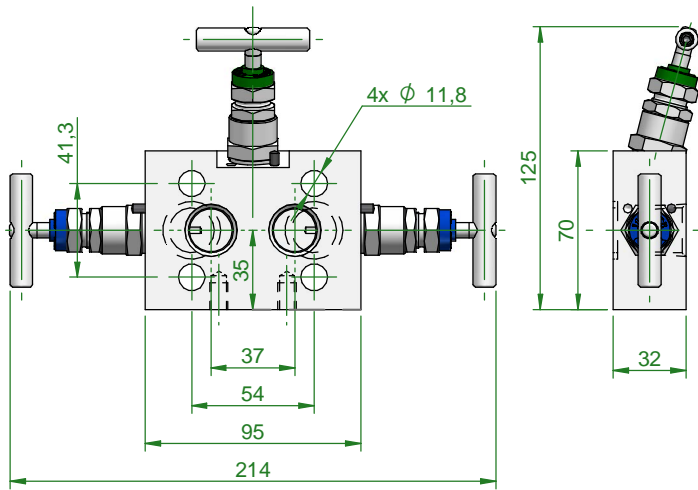
M371 - THREADED x FLANGED



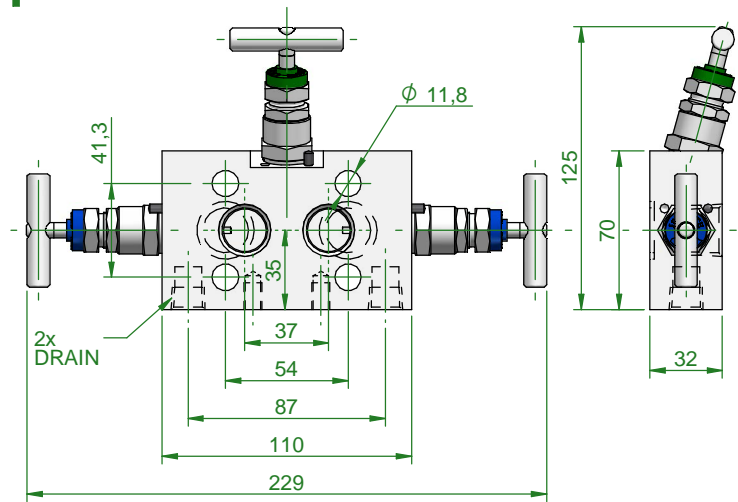
DIRECT MOUNTED MANIFOLD



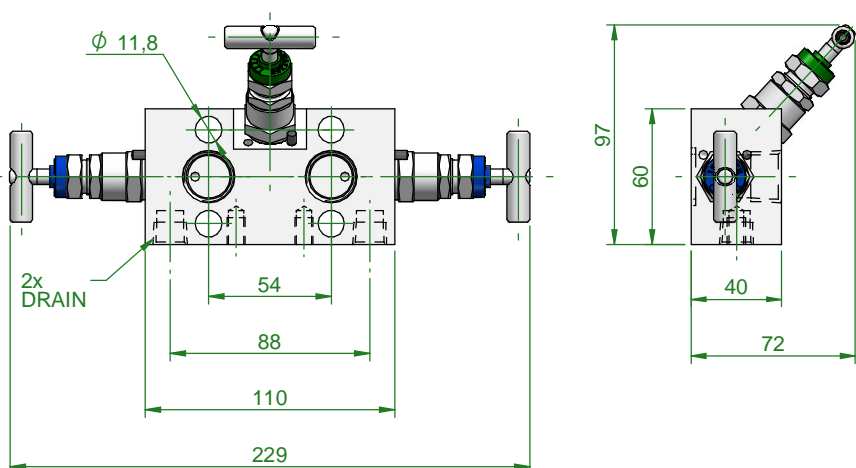
M341 - THREADED x FLANGED



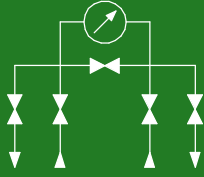
M34 - THREADED x FLANGED



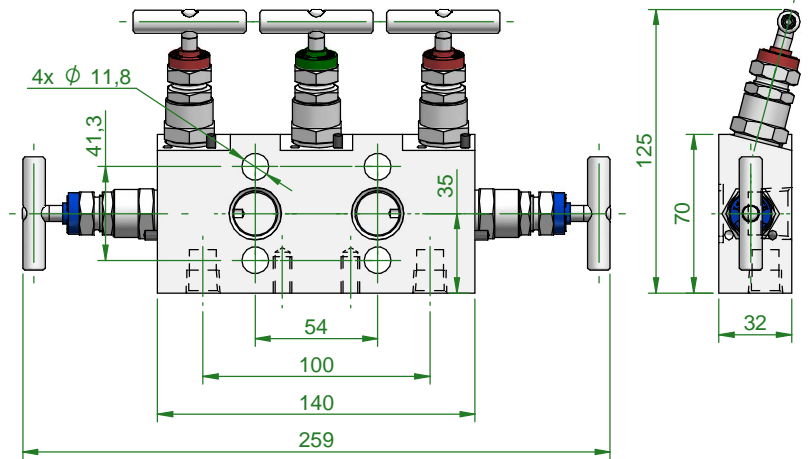
M342 - THREADED x FLANGED



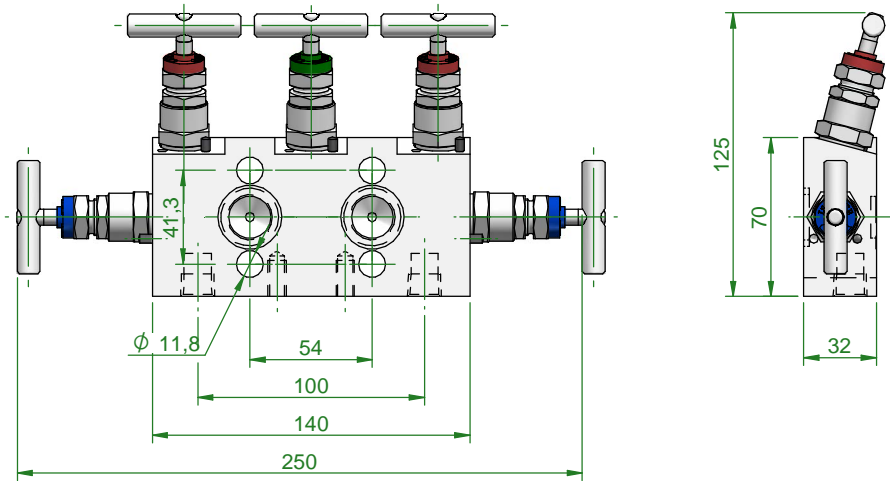
# DIRECT MOUNTED MANIFOLD



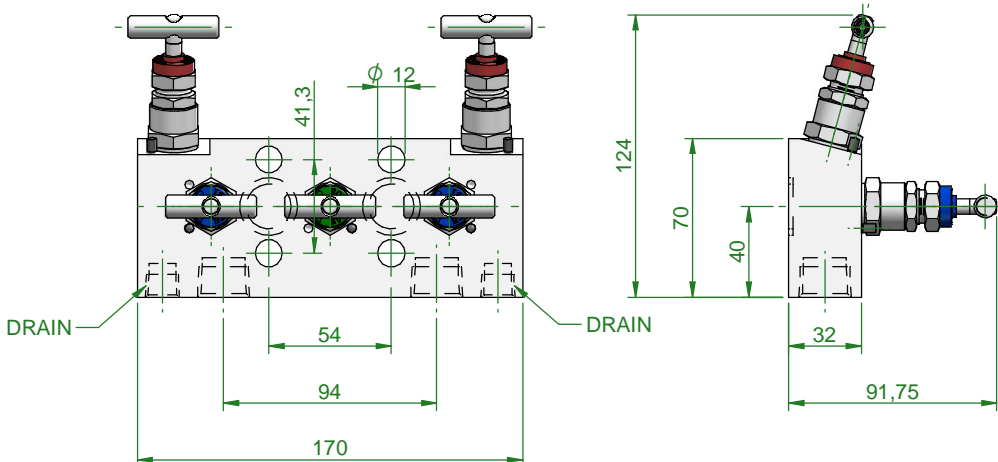
## M52 - THREADED x FLANGED



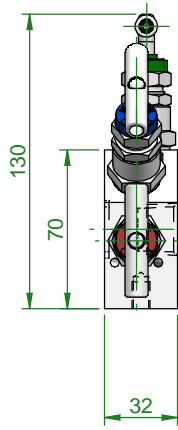
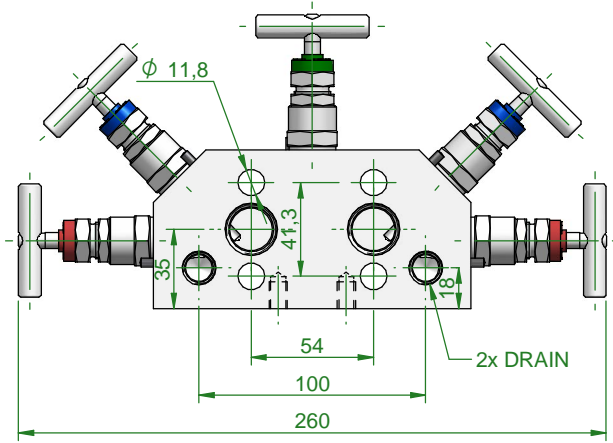
## M53 - FLANGED x FLANGED



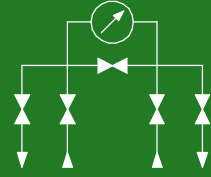
## M537 - THREADED x FLANGED



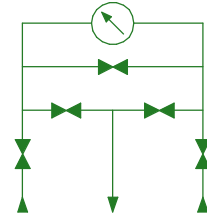
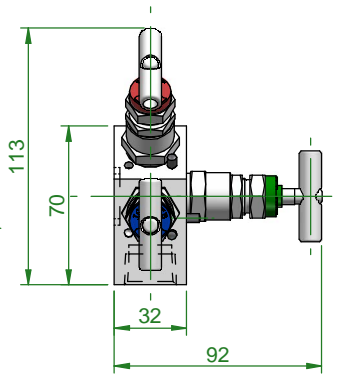
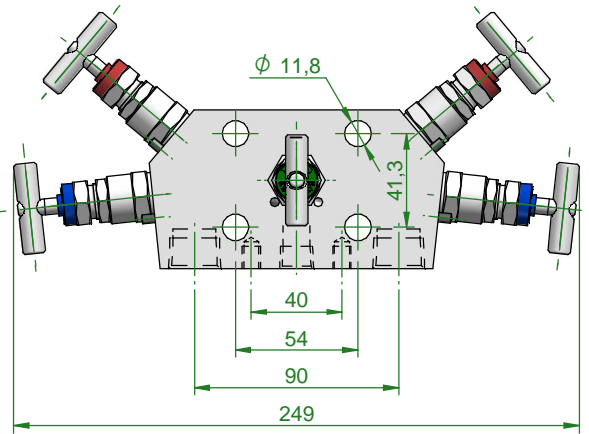
M55 - THREADED x FLANGED



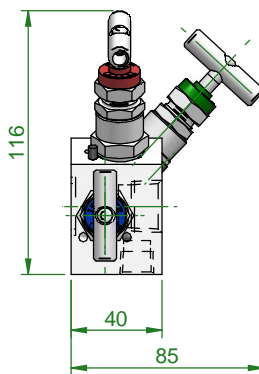
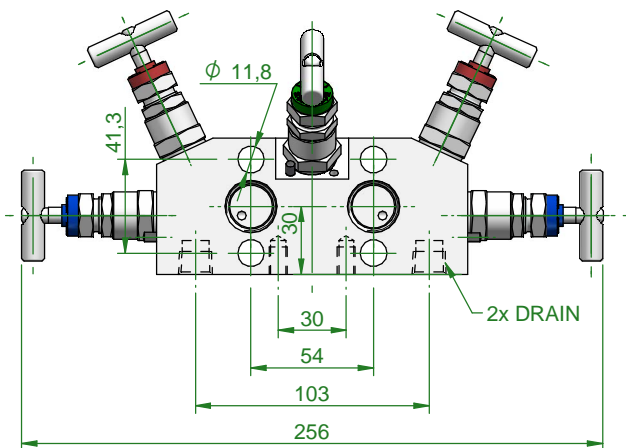
DIRECT MOUNTED MANIFOLD



M5212 - THREADED x FLANGED

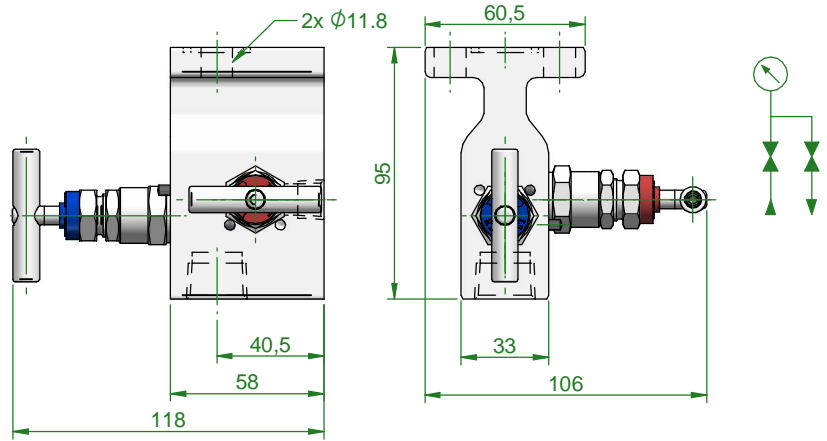


M5212 - THREADED x FLANGED

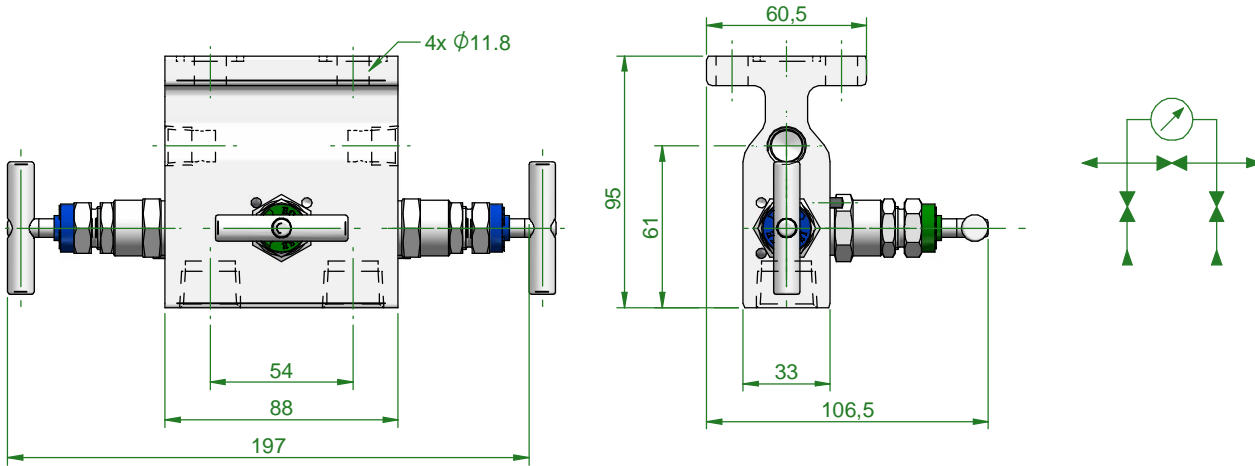


**DIRECT MOUNTED  
MANIFOLD  
"T"/"H"  
BAR STOCK  
PRFOILE**

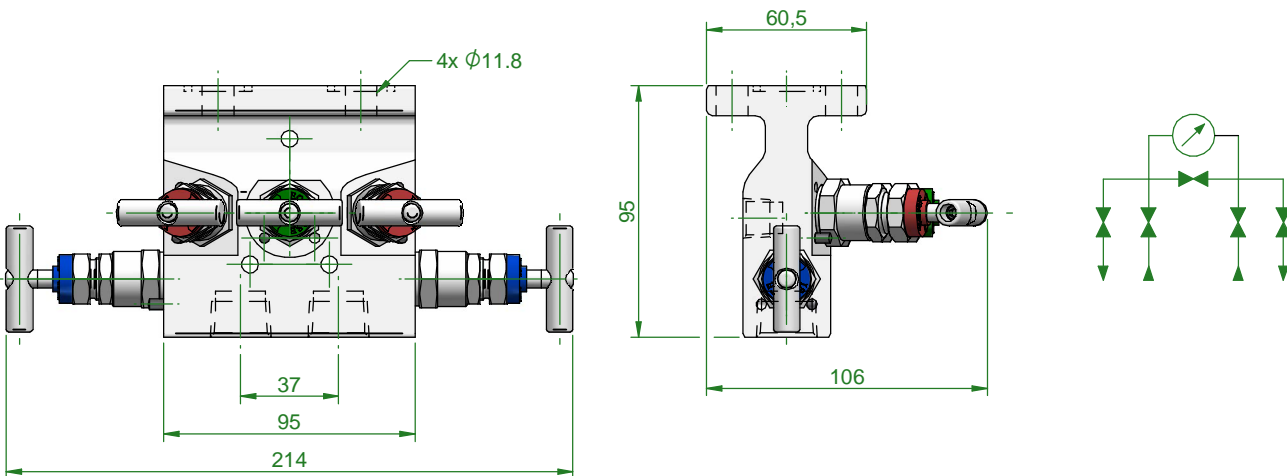
**M222 - THREADED x FLANGED**



**M391 - THREADED x FLANGED**

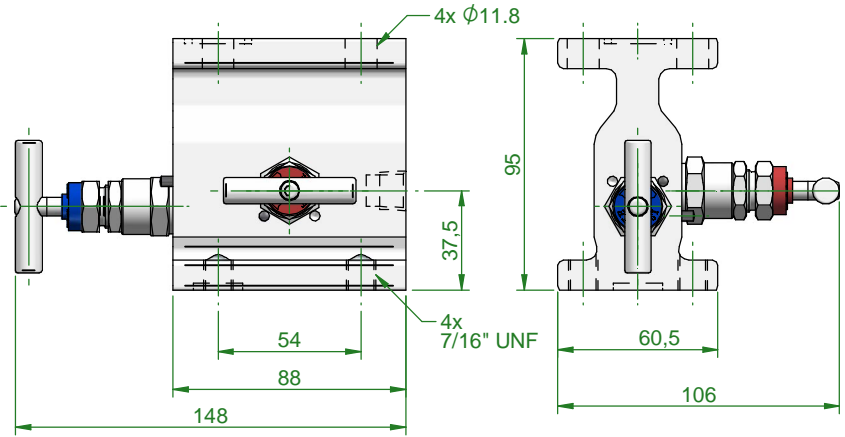


**M551 - THREADED x FLANGED**



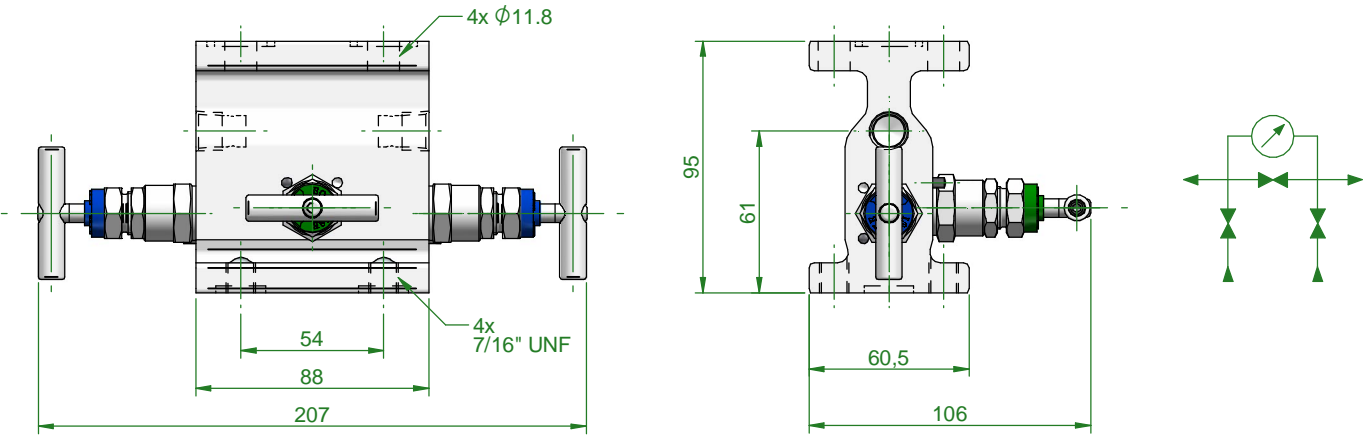


M220 - FLANGED x FLANGED

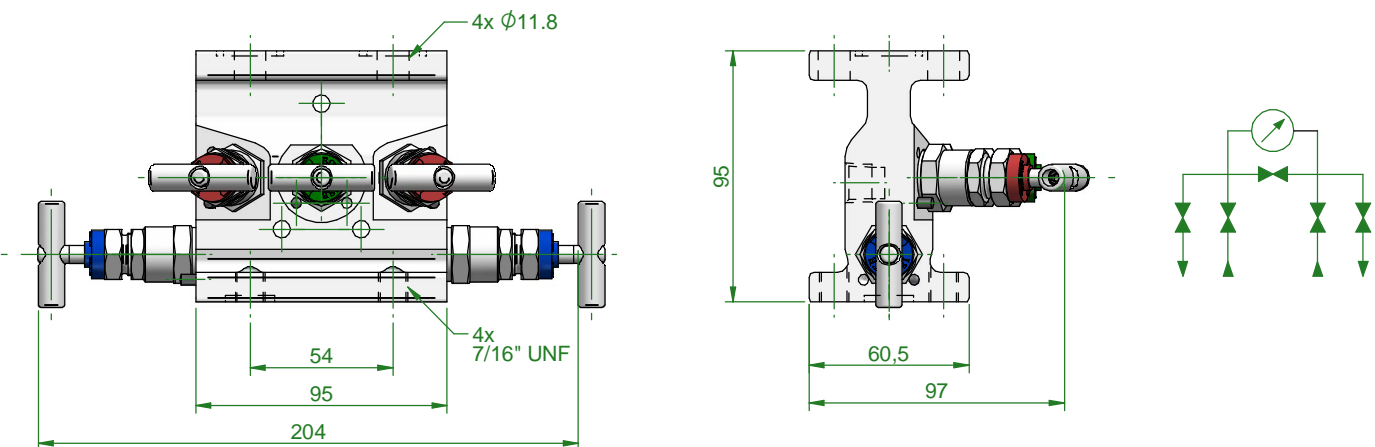


DIRECT MOUNTED  
MANIFOLD  
"T"/"H"  
BAR STOCK  
PRFOILE

M39 - FLANGED x FLANGED



M5212 - THREADED x FLANGED



# DIRECT MOUNTED MANIFOLD - HOW TO ORDER

M 5 5 - 0 6 S T 8 N 8 N 4 P 8

## MODEL

M26 Direct manifold 2 vlv 70x32 I/O 180° THD/FLG  
M341 Direct manifold 3 vlv 70x32 I/O 180° THD/FLG  
M55 Direct manifold 5 vlv 70x32 I/O 180° THD/FLG  
...

## RATING

06 Series 6.000 PSI  
10 Series 10.000 PSI

## MATERIAL

S	Aisi 316L	F	Alloy 400
A	A105	G	Alloy C276
D	Duplex F51	H	6 Mo/F44
E	Super Duplex F55	I	Alloy 625

## PACKING

T PTFE  
G Graphoil

## IN

4	1/4"	FL	Flanged
6	3/8"		
8	1/2"		

## THREAD

A	Flanged	K	BSPT R/RC (ISO 7)
N	NPT	I	BSPP GAS (ISO 1179)
B	Butt Weld		
S	Socket Weld		

## OUT

FL Flanged

## FLANGED

A Flanged IEC 61518-A  
B Flanged IEC 61518-B

## DRAIN

4 1/4" NPT

## OPTIONS

/			
B	All components 316L	KT Padlock for all T-bar bonnet	TI ISOLATE Anti-tamper
C	Special testing	K1 Padlock for ISOLATE	TD VENT Anti-tamper
L	Lox cleaning	K2 Padlock for EQUALISE	TE EQUALISE Anti Tamper
K	Padlock for all anti tamper bonnet	K3 Padlock for VENT	TT All Anti-tamper bonnet
T	Mounted plug drain		

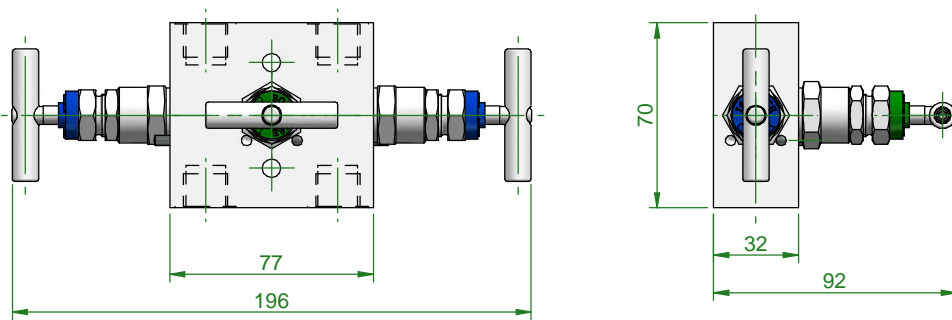
Attention - Above guideline show s all possible product configuration. Tailor-made solutions must be evaluated and approved by ITE technical dept before accepting and processing your order




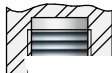
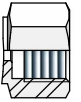

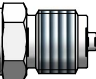
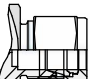
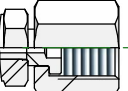
# DIFFERENTIAL PRESSURE GAUGE MANIFOLD

Differential pressure gauge Manifolds have a center to center distance 37 up to 54mm (as per customer's request). The manifolds works with any fluid up to 10.000 PSI rating. Complete with standard PTFE gland packing and self centering non rotational tip, gives the user assurance of total in service sealing security. Standard vent connection is 1/4" NPT-F I.T.E. manifolds are available with a lot of options. *We are showing on this page just the standard types.*

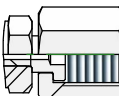
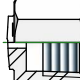
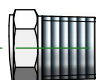
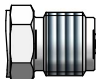
## 3050/3054 - THREADED x THREADED

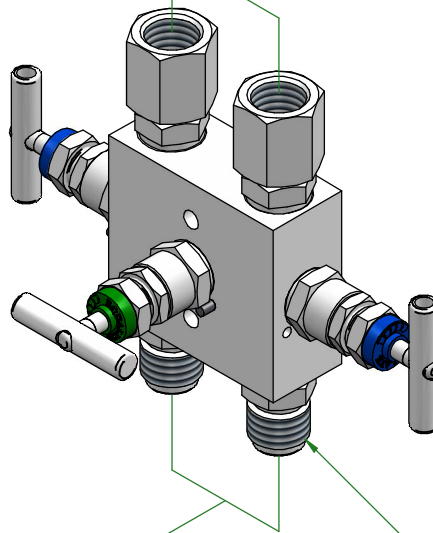


### STANDARD INLET

-  1/2" NPT threads acc. to. ASME B 1.20.1
-  G 3/8 threads acc. to. ISO 228-1
-  G 1/2 - M20x1.5 threads acc. to. EN 837-1 (Adapter)
-  1/2" NPT threads acc. to. ASME B 1.20.1 (Adapter)
-  G 1/2 - M20x1.5 threads acc. to. EN 837-1 (Adapter)
-  Tube fitting (Adapter)
-  1/2 - M20x1.5 threads acc. to. EN 837-1 (swivel Adapter)

### STANDARD OUTLET

-  1/2 - M20x1.5 threads acc. to. EN 837-1 (swivel Adapter)
-  1/2" NPT threads acc. to. ASME B 1.20.1 (3 pieces swivel adapter)
-  1/2" NPT threads acc. to. ASME B 1.20.1 (3 pieces swivel adapter)
-  G 1/2 - M20x1.5 threads acc. to. EN 837-1 (3 pieces swivel adapter)



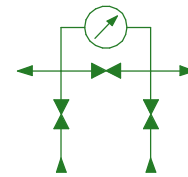
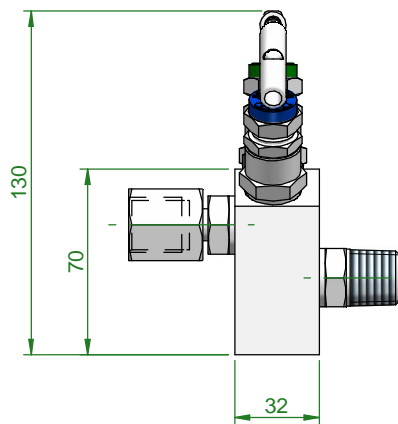
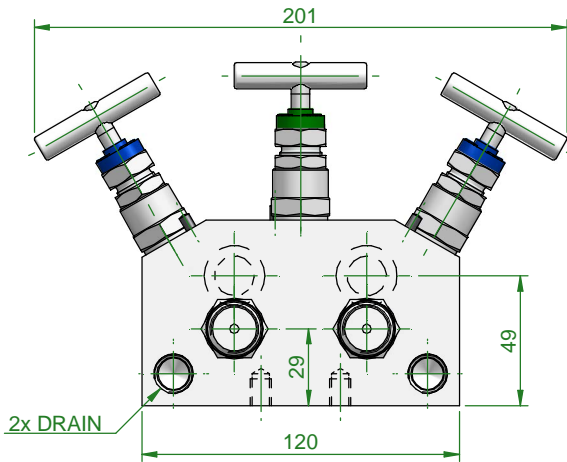
IN/OUT CENTER TO CENTER DISTANCE  
3050 = 50 mm  
3054 = 54 mm




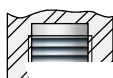
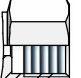
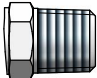
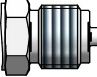
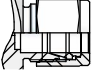
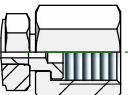
# DIFFERENTIAL PRESSURE GAUGE MANIFOLD

Differential pressure gauge Manifolds have a center to center distance 37 up to 54mm (as per customer's request). The manifolds works with any fluid up to 10.000 PSI rating. Complete with standard PTFE gland packing and self centering non rotational tip, gives the user assurance of total in service sealing security. Standard vent connection is 1/4" NPT-F I.T.E. manifolds are available with a lot of options. *We are showing on this page just the standard types.*

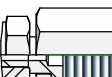
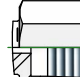
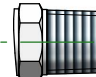
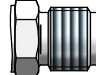
## 3637/3650/3654 - THREADED x THREADED

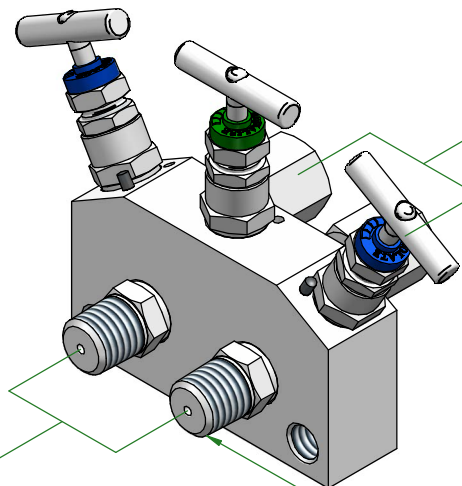


### STANDARD INLET

-  1/2" NPT threads acc. to ASME B 1.20.1
-  G 3/8 threads acc. to ISO 228-1
-  G 1/2 - M20x1.5 threads acc. to EN 837-1 (Adapter)
-  1/2" NPT threads acc. to ASME B 1.20.1 (Adapter)
-  G 1/2 - M20x1.5 threads acc. to EN 837-1 (Adapter)
-  Tube fitting (Adapter)
-  1/2 - M20x1.5 eads acc. to I 837-1 (wivel Adapter)

### STANDARD OUTLET

-  1/2 - M20x1.5 eads acc. to I 837-1 (wivel Adapter)
-  1/2" NPT threads acc. to ASME B 1.20.1 (3 pieces swivel adapter)
-  1/2" NPT threads acc. to ASME B 1.20.1 (3 pieces swivel adapter)
-  G 1/2 - M20x1.5 threads acc. to EN 837-1 (3 pieces swivel adapter)



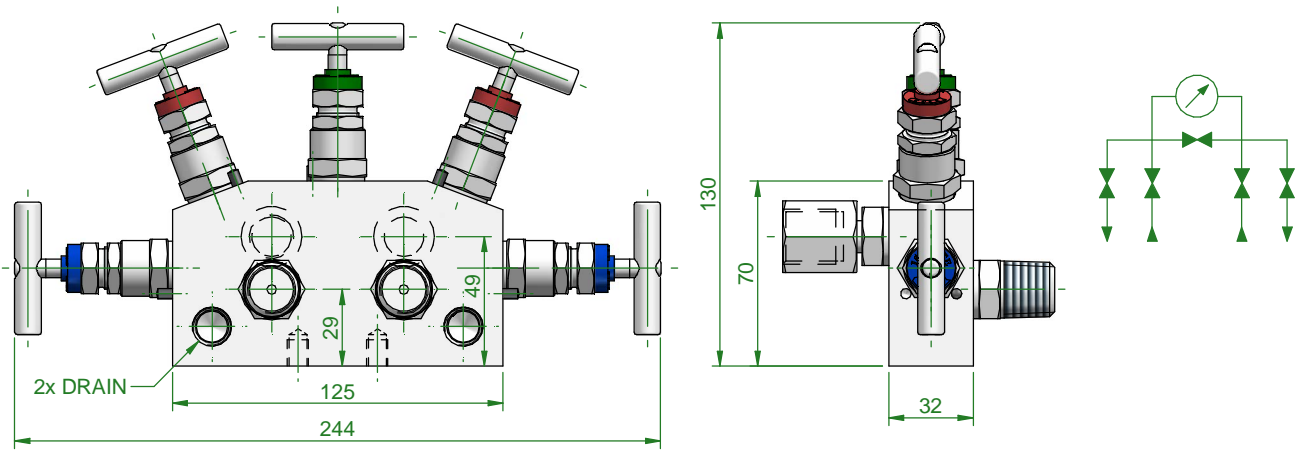
IN/OUT CENTER TO CENTER DISTANCE  
 3637 = 37 mm  
 3650 = 50 mm  
 3654 = 54 mm




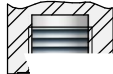
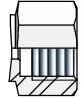

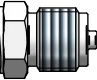
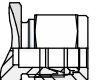
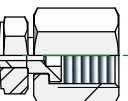
# DIFFERENTIAL PRESSURE GAUGE MANIFOLD

Differential pressure gauge Manifolds have a center to center distance 37 up to 54mm (as per customer's request). The manifolds works with any fluid up to 10.000 PSI rating. Complete with standard PTFE gland packing and self centering non rotational tip, gives the user assurance of total in service sealing security. Standard vent connection is 1/4" NPT-F I.T.E. manifolds are available with a lot of options. *We are showing on this page just the standard types.*

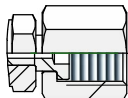
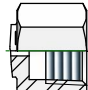
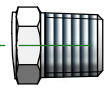
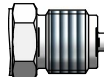
## 5637/5650/5654 - THREADED x THREADED

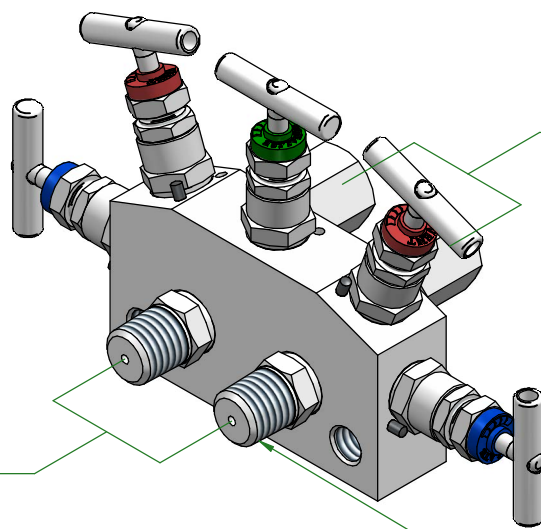


### STANDARD INLET

-  1/2" NPT threads acc. to. ASME B 1.20.1
-  G 3/8 threads acc. to. ISO 228-1
-  G 1/2 - M20x1.5 threads acc. to. EN 837-1 (Adapter)
-  1/2" NPT threads acc. to. ASME B 1.20.1 (Adapter)
-  G 1/2 - M20x1.5 threads acc. to. EN 837-1 (Adapter)
-  Tube fitting (Adapter)
-  1/2 - M20x1.5 eads acc. to. I 837-1 wivel Adapter)

### STANDARD OUTLET

-  1/2 - M20x1.5 eads acc. to. I 837-1 wivel Adapter)
-  1/2" NPT threads acc. to. ASME B 1.20.1 (3 pieces swivel adapter)
-  1/2" NPT threads acc. to. ASME B 1.20.1 (3 pieces swivel adapter)
-  G 1/2 - M20x1.5 threads acc. to. EN 837-1 (3 pieces swivel adapter)



IN/OUT CENTER TO CENTER DISTANCE  
 5637 = 37 mm  
 5650 = 50 mm  
 5654 = 54 mm



# DIFFERENTIAL PRESSURE GAUGE MANIFOLD

## HOW TO ORDER

M 5 6 5 0 - 0 6 S T 8 N 1 8 R 4 4

### MODEL

M3050 DPG Manifold 3 vlv C.C.:50mm - no drain  
 M3054 DPG Manifold 3 vlv C.C.:54mm - no drain  
 M3637 DPG Manifold 3 vlv C.C.:37mm  
 M3650 DPG Manifold 3 vlv C.C.:50mm  
 M3654 DPG Manifold 3 vlv C.C.:54mm  
 M5637 DPG Manifold 3 vlv C.C.:37mm  
 M5650 DPG Manifold 3 vlv C.C.:50mm  
 M5654 DPG Manifold 3 vlv C.C.:54mm

### RATING

06 Series 6.000 PSI  
 10 Series 10.000 PSI

### MATERIAL

S	Aisi 316L	F	Alloy 400
A	A105	G	Alloy C276
D	Duplex F51	H	6 Mo/F44
E	Super Duplex F55	I	Alloy 625

### PACKING

T PTFE  
 G Graphoil

### IN

4	1/4"	20	M20 x 1,5
6	3/8"		
8	1/2"		

### THREAD

N NPT  
 R BSPP GAS (EN 837-1) - Gauge connection  
 M Metric (similar EN 837-1)

### TYPE

/  
 1 Male Adaptor  
 2 Female Adaptor (no for thread G 3/8 or 1/2" NPT)  
 3 Swivel male connector  
 4 Swivel female connector

### OUT (Same as "IN" standard)

4	1/4"	20	M20 x 1,5
6	3/8"		
8	1/2"		

### THREAD (Same as "IN" standard)

N NPT  
 R BSPP GAS (EN 837-1) - Gauge connection  
 M Metric (similar EN 837-1)

### TYPE

/  
 1 Male Adaptor  
 2 Female Adaptor (no for thread G 3/8 or 1/2" NPT)  
 3 Swivel male connector  
 4 Swivel female connector

### DRAIN

/  
 4 1/4" NPT

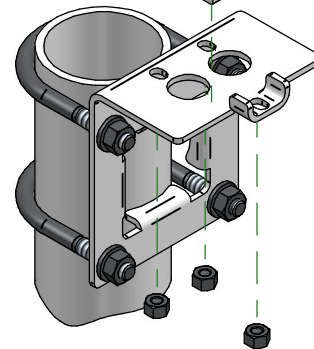
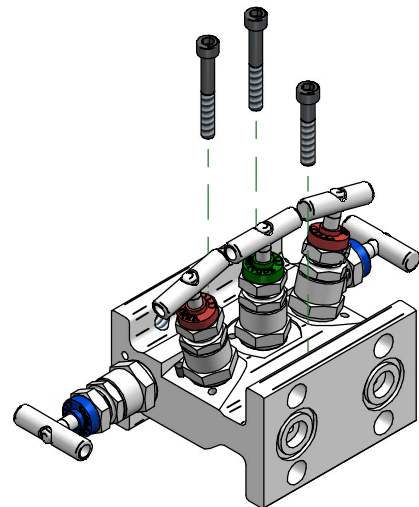
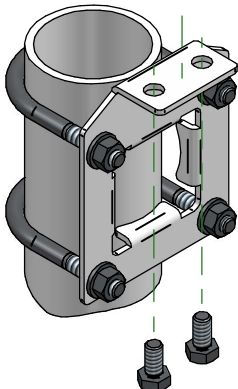
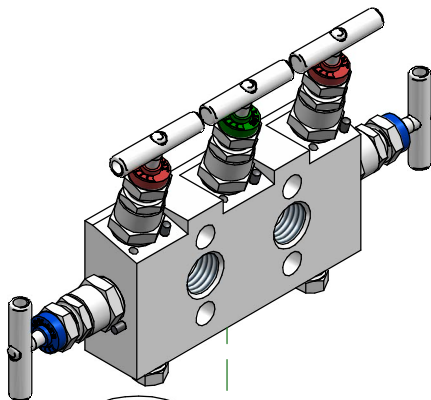
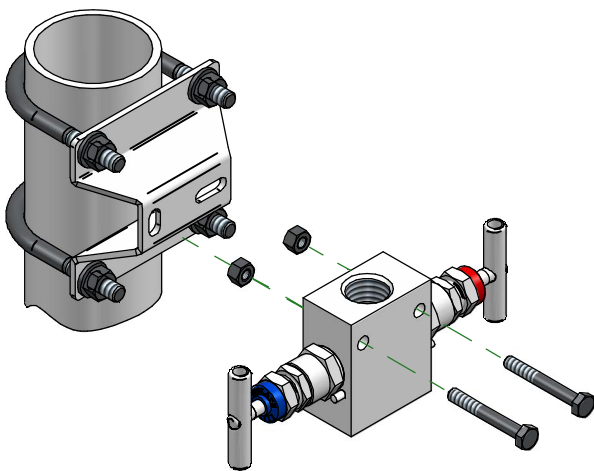
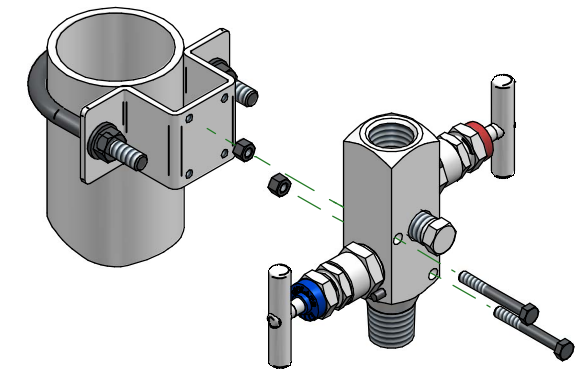
### OPTIONS

/		
B	All components 316L	KT Padlock for all T-bar bonnet
C	Special testing	K1 Padlock for ISOLATE
L	Lox cleaning	K2 Padlock for EQUALISE
K	Padlock for all anti tamper bonnet	K3 Padlock for VENT
T	Mounted plug drain	
		TI ISOLATE Anti-tamper
		TD VENT Anti-tamper
		TE EQUALISE Anti Tamper
		TT All Anti-tamper bonnet

Attention - Above guideline show s all possible product configuration. Tailor-made solutions must be evaluated and approved by ITE technical dept before accepting and processing your order





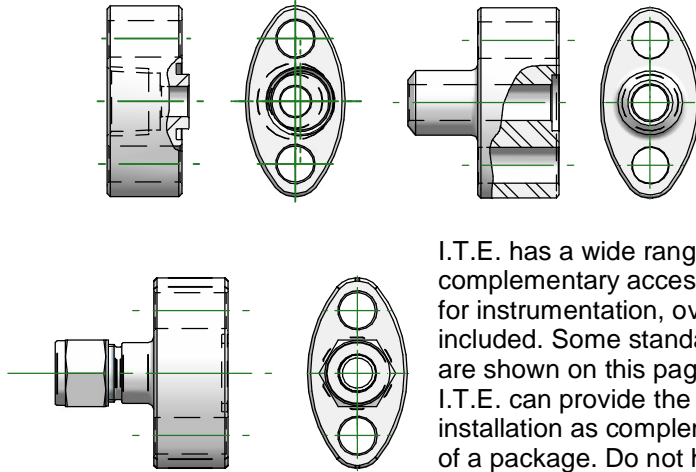


I.T.E. has a wide range of complementary accessories suitable for instrumentation, brackets included. All I.T.E. brackets can be installed both in horizontal and vertical position. Some standard configuration are shown on this page. If required, I.T.E. can provide the complete installation as complementary activity of a package. Do not hesitate to contact us for more information on it.



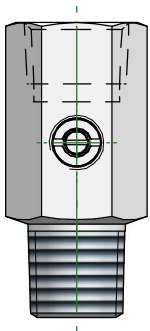
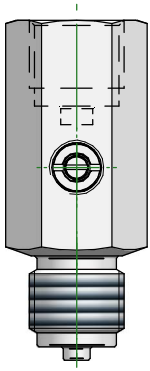
# ACCESSORIES

## OVAL FLANGE



I.T.E. has a wide range of complementary accessories suitable for instrumentation, oval flanges included. Some standard configuration are shown on this page. If required, I.T.E. can provide the complete installation as complementary activity of a package. Do not hesitate to contact us for more information on it.

## GAUGE SNUBBER



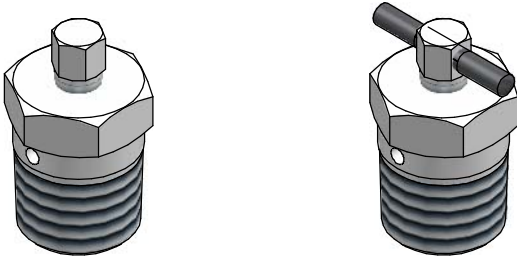
## HOW TO ORDER

			<b>G</b>	<b>S</b>	-	<b>0</b>	<b>6</b>	<b>S</b>	<b>4</b>	<b>N</b>
<b>MODEL</b>										
GS	Gauge snubbers									
<b>RATING</b>										
06	Serie 6000									
10	Serie 10000									
<b>MATERIAL</b>										
S	Aisi 316L				F	Monel 400				
A	A105				G	C276 Hastelloy				
D	F51				H	6 Mo/F44				
E	F55				I	Inconel 625				
<b>CONNECTIONS</b>										
4	1/4"				12	3/4"				
6	3/8"				20	M20x1,5				
8	1/2"									
<b>THREAD</b>										
N	NPT				I	BSPP GAS (ISO 1179)				
K	BSPT R/RC (ISO 7)				R	BSPP GAS (EN 837-1) - Gauge connection				
M	Metric (similar EN 837-1)									

Attention - Above guideline show s all possible product configuration. Tailor-made solutions must be evaluated and approved by ITE technical dept before accepting

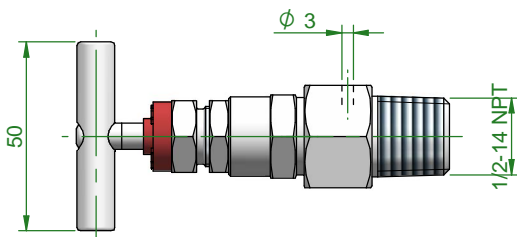


## VBP / VBPT - VENT VALVE

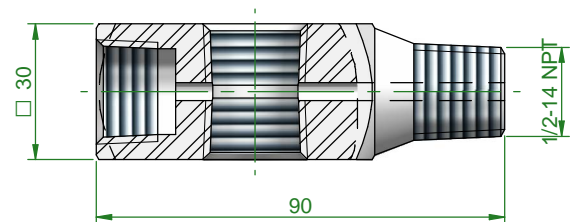


# ACCESSORIES

## VBV - ADJUSTABLE VENT VALVE



## VBT - BAR STOCK BLEED TEE



## HOW TO ORDER

V B V - 0 6 S T 4

### MODEL

VBT Bar stock bleed TEE  
 VBV Adjustable VENT valve  
 VBPT Vent valve  
 VBV Vent valve

### RATING

06 Series 6.000 PSI  
 10 Series 10.000 PSI

### MATERIAL

S	Aisi 316L	F	Alloy 400
A	A105	G	Alloy C276
D	Duplex F51	H	6 Mo/F44
E	Superduplex F55	I	Alloy 625

### PACKING (VBV ONLY)

T PTFE  
 G Graphoil

### CONNECTIONS

4 1/4"  
 6 3/8"  
 8 1/2"

### THREAD

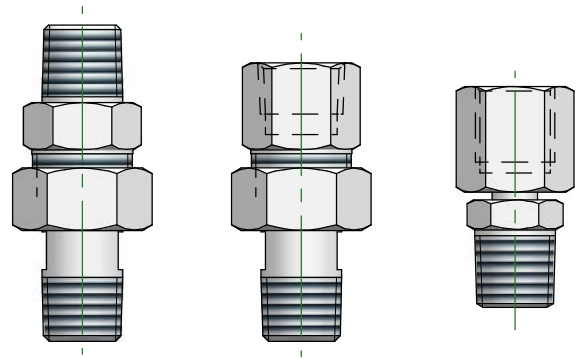
/ NPT  
 K BSPT R/RC (ISO 7)  
 I BSPP GAS (ISO 1179)  
 R BSPP GAS (EN 837-1) - Gauge connection

Attention - Above guideline show s all possible product configuration. Tailor-made solutions must be evaluated and approved by ITE technical dept before accepting and processing your



# ACCESSORIES

## SGA/SGC - SWIVEL ADAPTER



## HOW TO ORDER

S G A - 2 0 M F 8 G M - 0 6 S

### MODEL

SGA SWIVEL GAUGE ADAPTER - SCREWED

SGC SWIVEL GAUGE ADAPTER - WELDED

### INLET DIMENSION

4	1/4" NPT	4G	1/4" BSPP (G)*
8	1/2" NPT	8G	1/2" BSPP (G)*
12	3/4" NPT	4K	1/4" BSPT***
16	1" NPT	8K	1/2" BSPT***
20M	M20x1,5 *		
4I	1/4" BSPP (G)**		
6I	3/8" BSPP (G)**		
8I	1/2" BSPP (G)**		

### CONNECTION

F FEMALE  
M MALE

### OUTLET DIMENSION

4	1/4" NPT	4G	1/4" BSPP (G)*
8	1/2" NPT	8G	1/2" BSPP (G)*
12	3/4" NPT	4K	1/4" BSPT***
16	1" NPT	8K	1/2" BSPT***
20M	M20x1,5 *		
4I	1/4" BSPP (G)**		
6I	3/8" BSPP (G)**		
8I	1/2" BSPP (G)**		

### CONNECTION

F FEMALE  
M MALE

### RATING (SGA ONLY)

06	6,000 PSI
10	10,000 PSI

### MATERIAL

S	Aisi 316L	F	Alloy 400
A	A105	G	Alloy C276
D	Duplex F51	H	6 Mo/F44
E	Super Duplex F55	I	Alloy 625

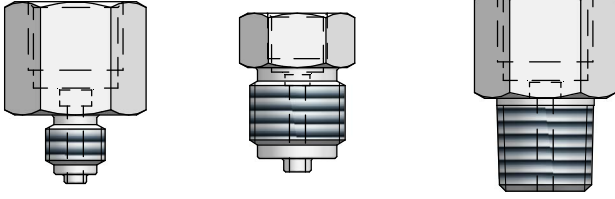
\* EN 837-1 DESIGN

\*\* ISO 1179 DESIGN ("MA" ONLY)

\*\*\* ISO 7/1

Attention - Above guideline show s all possible product configuration. Tailor-made solutions must be evaluated and approved by ITE technical dept before accepting and processing your order





## HOW TO ORDER

			<b>G</b>	<b>A</b>	-	<b>8</b>	<b>G</b>	<b>M</b>	<b>8</b>	<b>G</b>	<b>F</b>	-	<b>0</b>	<b>6</b>	<b>S</b>
<b>MODEL</b>															
GA GAUGE ADAPTER															
<b>INLET DIMENSION</b>															
4	1/4" NPT	4G	1/4" BSPP (G)*												
8	1/2" NPT	8G	1/2" BSPP (G)*												
12	3/4" NPT	4K	1/4" BSPT***												
16	1" NPT	8K	1/2" BSPT***												
20M	M20x1,5 *														
4I	1/4" BSPP (G)**														
6I	3/8" BSPP (G)**														
8I	1/2" BSPP (G)**														
<b>CONNECTION</b>															
F FEMALE															
M MALE															
<b>OUTLET DIMENSION</b>															
4	1/4" NPT	4G	1/4" BSPP (G)*												
8	1/2" NPT	8G	1/2" BSPP (G)*												
12	3/4" NPT	4K	1/4" BSPT***												
16	1" NPT	8K	1/2" BSPT***												
20M	M20x1,5 *														
4I	1/4" BSPP (G)**														
6I	3/8" BSPP (G)**														
8I	1/2" BSPP (G)**														
<b>CONNECTION</b>															
F FEMALE															
M MALE															
<b>RATING (SGA ONLY)</b>															
06 6,000 PSI															
10 10,000 PSI															
<b>MATERIAL</b>															
S	Aisi 316L	F	Alloy 400												
A	A 105	G	Alloy C276												
D	Duplex F51	H	6 Mo/F44												
E	Super Duplex F55	I	Alloy 625												

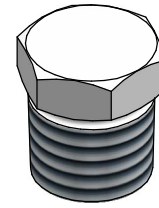
\* EN 837-1 DESIGN

\*\* ISO 1179 DESIGN ("MA" ONLY)

\*\*\* ISO 7/1

Attention - Above guideline shows all possible product configuration. Tailor-made solutions must be evaluated and approved by ITE technical dept before accepting and processing your order





## HOW TO ORDER

		8	P	H	-	0	6	S
<b>CONNECTIONS</b>								
2	1/8"	8						
4	1/4"	12						
6	3/8"	16						
<b>MODEL</b>								
PH HEX MALE PLUG								
<b>RATING</b>								
06 Series 6.000 PSI								
10 Series 10.000 PSI								
<b>MATERIAL</b>								
S	Aisi 316L	F	Alloy 400					
A	A105	G	Alloy C276					
D	Duplex F51	H	6 Mo/F44					
E	Super Duplex F55	I	Alloy 625					
<b>THREAD</b>								
/ NPT								
K BSPT R/RC (ISO 7)								
I BSPP GAS (ISO 1179)								
R BSPP GAS (EN 837-1) - Gauge connection								

Attention - Above guideline shows all possible product configuration. Tailor-made solutions must be evaluated and approved by ITE technical dept before accepting and processing your order





I.T.E. s.r.l.  
Business location:  
Via Santa Rosa 3 / B  
26816 Ossago Lodigiano (LO)  
Tel: +39 0371 871077  
Fax: +39 0371 87795

Production site:  
Zona Industriale 1a Strada 17  
30030 Fossò (VE)  
TEL: +39 041 5170351  
Fax: +39 041 5179385

[info@ite-srl.com](mailto:info@ite-srl.com)  
[www.ite-srl.com](http://www.ite-srl.com)